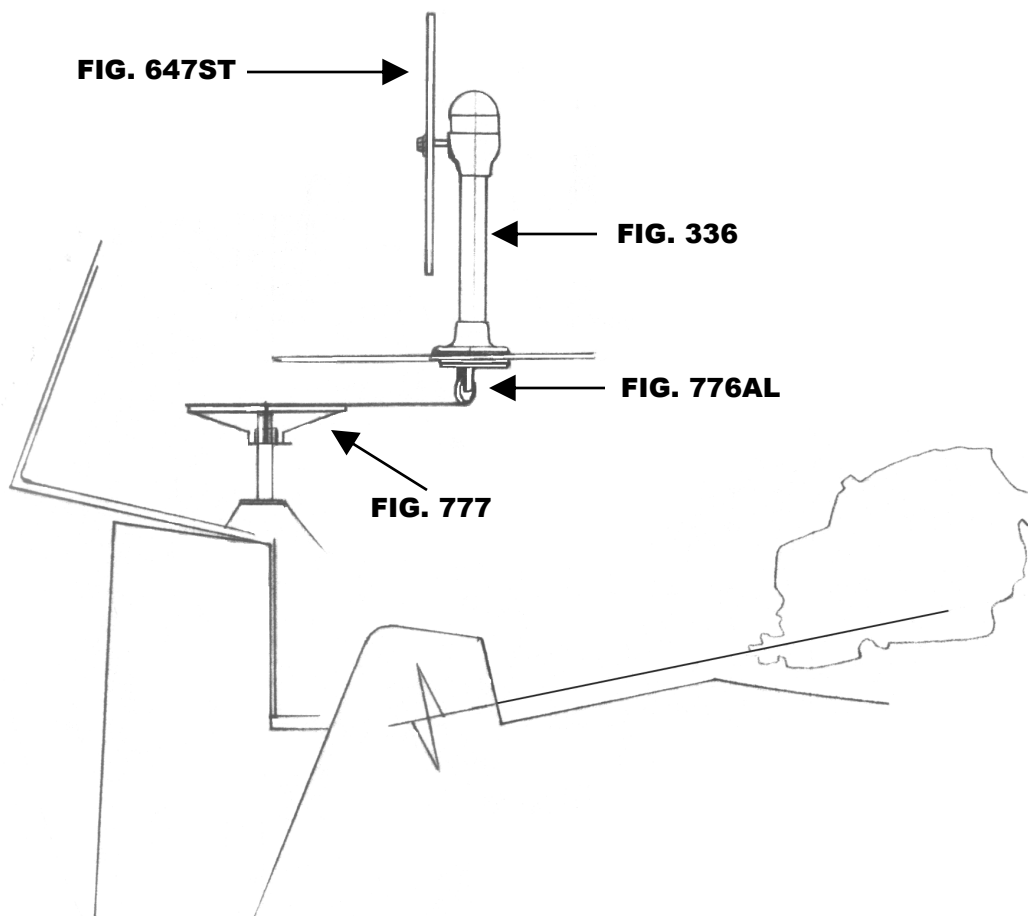




ENDEAVOUR 38/AFT

This schematic is intended to provide an outline for designing your system. Complete instructions for installation can be found in our "PLANNING & INSTALLATION GUIDE", which can be found online.

VISIT US ONLINE AT
WWW.EDSONMARINE.COM



STEERING COMPONENTS:

- | | |
|-------------------|---|
| 1 FIG. 336-5-211T | CLASSIC PEDESTAL STEERER/TAPERED |
| 1 FIG. 647ST-40-5 | DISHED DESTROYER WHEEL |
| 1 FIG. 77111 | CHAIN & WIRE ROPE ASSY. W/HARDWARE <i>[was 774-2S2B9]</i> |
| | <i>(2FT #50 CHAIN, 9FT 3/16" 7X91 305 SS WIRE ROPE)</i> |
| 1 FIG. 776AL-4AL | ADJUSTABLE CROSSED WIRE IDLER |
| 1 FIG. 777-10 | RADIAL DRIVE WHEEL |
| 4 FIG. 646-4HEX | PEDESTAL MOUNTING BOLTS |

(A FIG. 697 STUFFING BOX/BEARING MAY BE REQUIRED)

