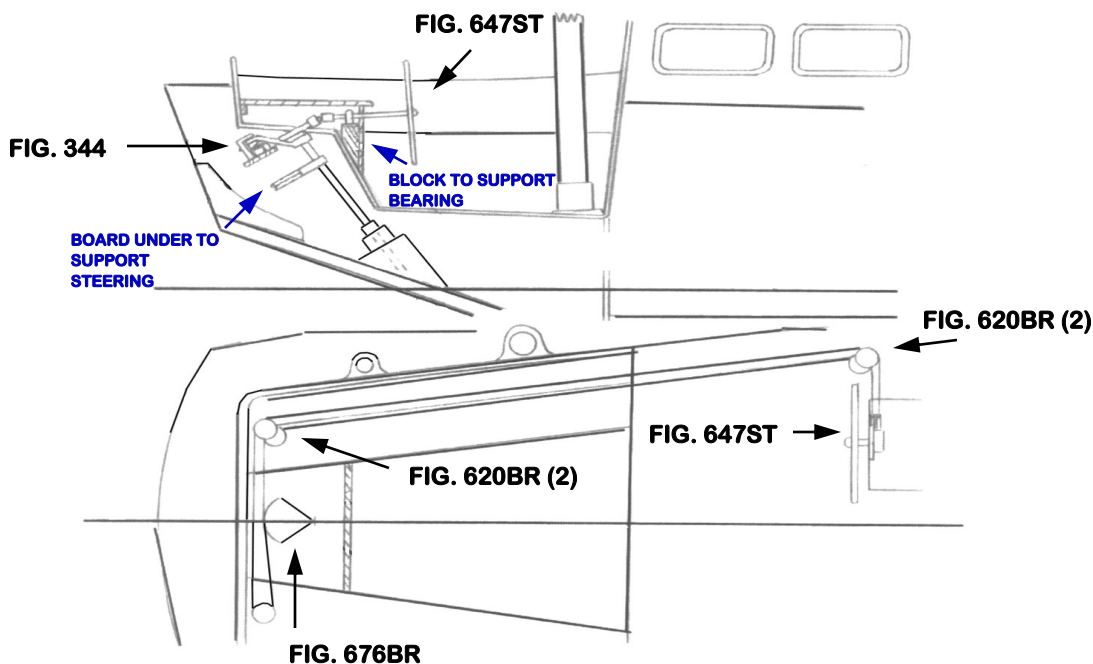


THIS SCHEMATIC IS INTENDED TO PROVIDE AN OUTLINE FOR DESIGNING YOUR SYSTEM. COMPLETE INSTRUCTIONS FOR INSTALLATION CAN BE FOUND IN OUR "PLANNING & INSTALLATION GUIDE", WHICH CAN BE FOUND ONLINE.

VISIT US ONLINE AT
WWW.EDSONMARINE.COM



STEERING COMPONENTS:

OUTSIDE STATION:

- 1 FIG. 344-1 **AFT MOUNT RACK & PINION STEERER**
- 1 FIG. 647ST-24-5 **DISHED DESTROYER WHEEL**

INSIDE STATION:

- 1 FIG. 420-2-11T **BULKHEAD STEERER/TAPERED**
- 1 FIG. 647ST-24-5 **DISHED DESTROYER WHEEL**
- 1 FIG. 77115 **CHAIN & WIRE ROPE ASSY. W/HARDWARE (CUT TO 20")**
[was 774-2S2B22] (2FT #50 CHAIN, 22FT 3/16" 7X19 305 SS WIRE ROPE)
- 1 FIG. 676BR-12 **LARGE BORE QUADRANT-BRONZE**

ENDURANCE 35 (S-520-1)