

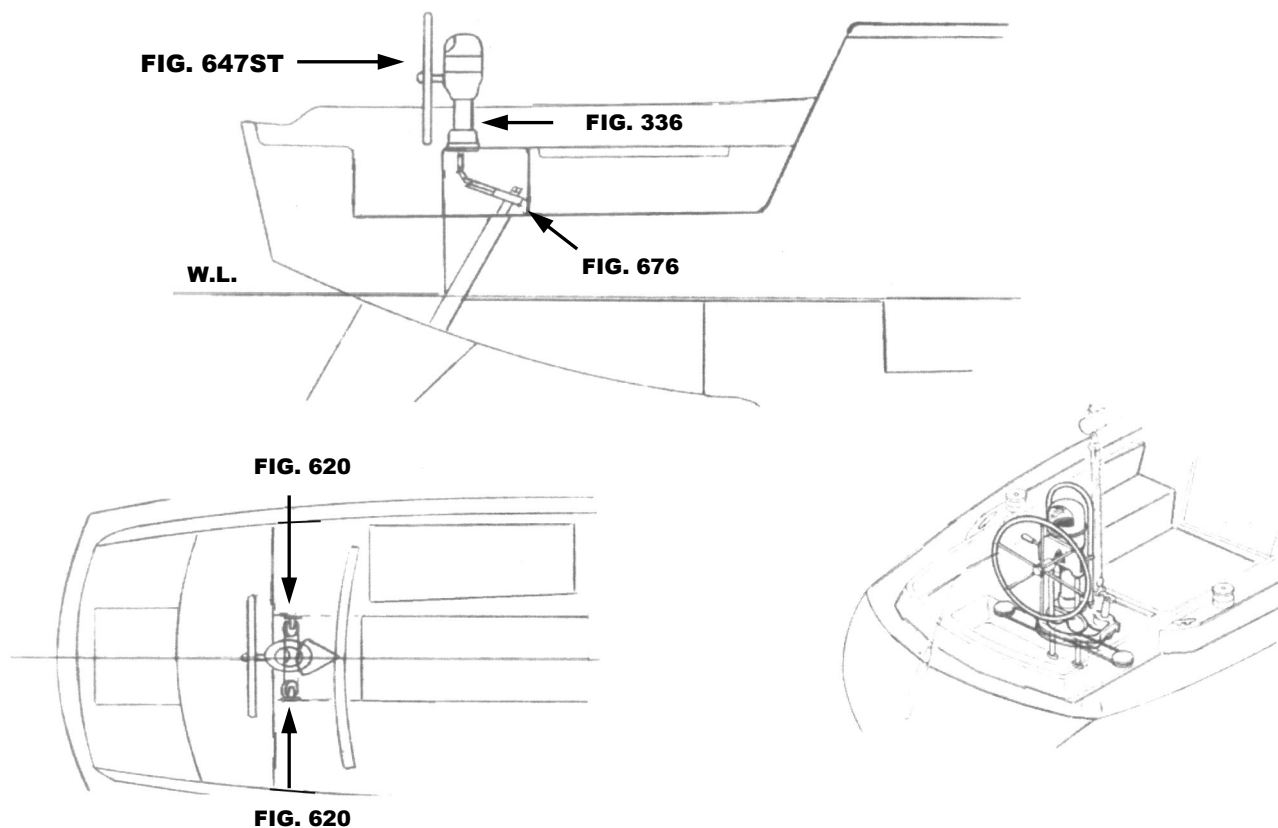


ERICSON 27 & 29 MK II

S-742

THIS SCHEMATIC IS INTENDED TO PROVIDE AN OUTLINE FOR DESIGNING YOUR SYSTEM. COMPLETE INSTRUCTIONS FOR INSTALLATION CAN BE FOUND IN OUR "PLANNING & INSTALLATION GUIDE", WHICH CAN BE FOUND ON OUR WEBSITE.

VISIT US ONLINE AT
WWW.EDSONMARINE.COM



STEERING COMPONENTS:

- | | |
|------------------------|--|
| 1 FIG. 336-5-211S | CLASSIC PEDESTAL STEERER/STRAIGHT |
| 1 FIG. 336-SPEC-HEIGHT | SPEC. HEIGHT FOR PEDESTAL –MUST SPECIFY: |
| 1 FIG. 647ST-26-5 | DISHED DESTROYER WHEEL |
| 1 FIG. 77101 | CHAIN & WIRE ROPE KIT W/HARDWARE [was 774-2S15B7] |
| | <i>(1.5FT #50 CHAIN, 7FT 3/16" 7X19 305 SS WIRE ROPE)</i> |
| 1 FIG. 714-4 | NARROW PEDESTAL BASE |
| 2 FIG. 620BR-4AL | UPRIGHT SINGLE SHEAVE ASSY. |
| 2 FIG. 622ST-4AL | ARTICULOCK SHEAVE ASSY. |
| 1 FIG. 676BR-8 | LARGE BORE QUADRANT |
| 4 FIG. 646-4HEX | PEDESTAL MOUNTING BOLTS |

ERICSON 27 & 29 MK II (S-742)

