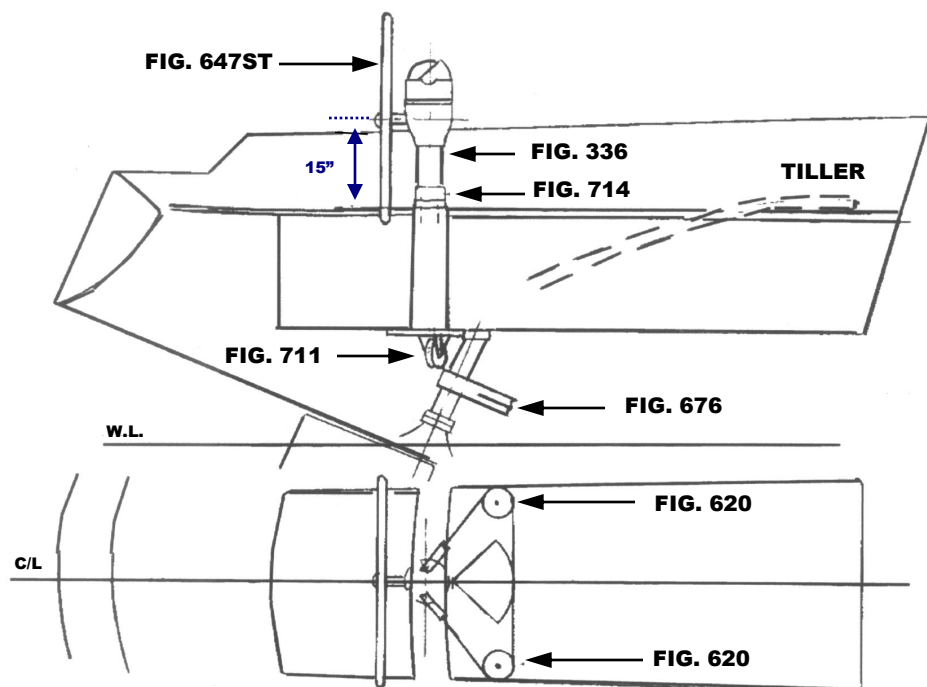




ERICSON 32 & 35

THIS SCHEMATIC IS INTENDED TO PROVIDE AN OUTLINE FOR DESIGNING YOUR SYSTEM. COMPLETE INSTRUCTIONS FOR INSTALLATION CAN BE FOUND IN OUR "PLANNING & INSTALLATION GUIDE", WHICH CAN BE FOUND ON OUR WEBSITE.

VISIT US ONLINE AT
WWW.EDSONMARINE.COM



STEERING COMPONENTS:

- | | |
|------------------------|--|
| 1 FIG. 336-5-211T | CLASSIC PEDESTAL STEERER/TAPERED |
| 1 FIG. 336-SPEC-HEIGHT | SPEC. PEDESTAL HEIGHT CHARGE |
| 1 FIG. 714-4 | NARROW PEDESTAL BASE |
| 1 FIG. 647ST-28-5 | DISHED DESTROYER WHEEL |
| 1 FIG. 77101 | CHAIN & WIRE ROPE KIT W/HARDWARE [was 774-2S15B7]
(1.5FT #50 CHAIN, 7FT 3/16" 7X19 305 SS WIRE ROPE) |
| 1 FIG. 711AL-4AL | ADJUSTABLE IDLER |
| 2 FIG. 620BR-4AL | UPRIGHT SINGLE SHEAVE ASSY. |
| 1 FIG. 676BR-8 | MANGANESE BRONZE QUADRANT |
| 4 FIG. 646-4HEX | PEDESTAL MOUNTING BOLTS |
- (A FIG. 697 STUFFING BOX/BEARING MAY BE REQUIRED)

ERICSON 32 & 35 (S-317-1)

