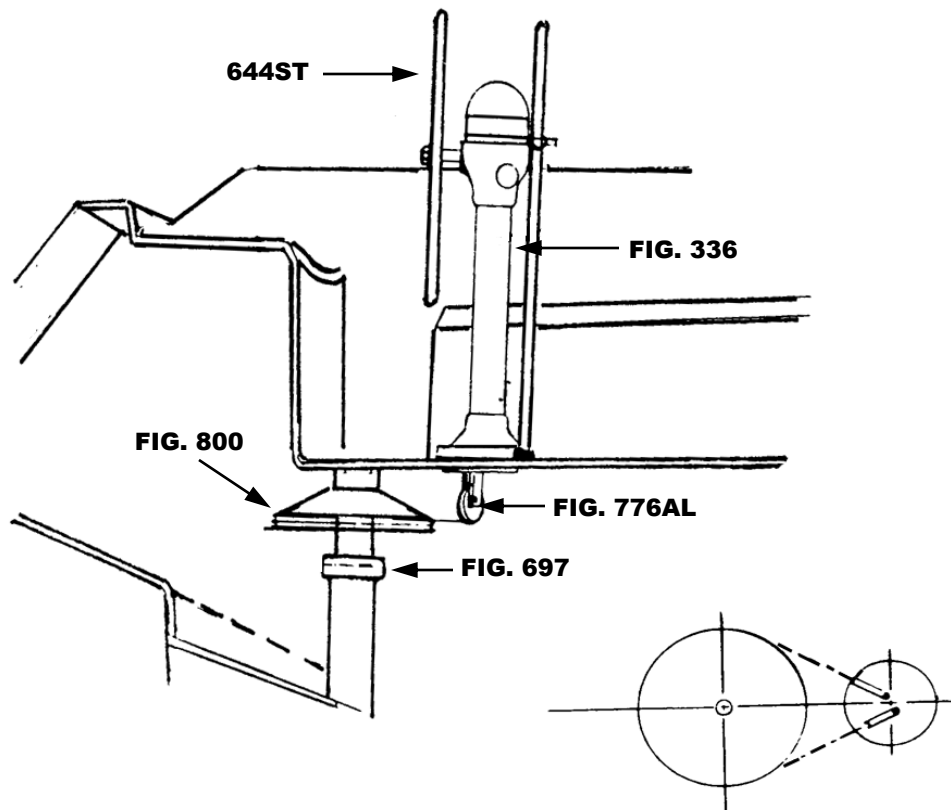




ERICSON 32

THIS SCHEMATIC IS INTENDED TO PROVIDE AN OUTLINE FOR DESIGNING YOUR SYSTEM. COMPLETE INSTRUCTIONS FOR INSTALLATION CAN BE FOUND IN OUR "PLANNING & INSTALLATION GUIDE", WHICH CAN BE FOUND ON OUR WEBSITE.

VISIT US ONLINE AT
WWW.EDSONMARINE.COM



STEERING COMPONENTS:

- 1 FIG. 336-5-211T
- 1 FIG. 647ST-28-5
- 1 FIG. 77103

**CLASSIC PEDESTAL STEERER-TAPERED
 DISHED DESTROYER WHEEL
 CHAIN & WIRE ROPE KIT W/HARDWARE [was 774-2S15B9]
 (1.5FT #50 CHAIN, 9FT 3/16" 7X19 305 SS WIRE ROPE)**

- 1 FIG. 776AL-4AL
- 1 FIG. 800-8
- 4 FIG. 646-4HEX
- 1 FIG. 697 - SPECIFY SZ

**ADJUSTABLE CROSSED WIRE IDLER
 RADIAL DRIVE WHEEL
 PEDESTAL MOUNTING BOLTS
 STUFFING BOX/BEARING**

