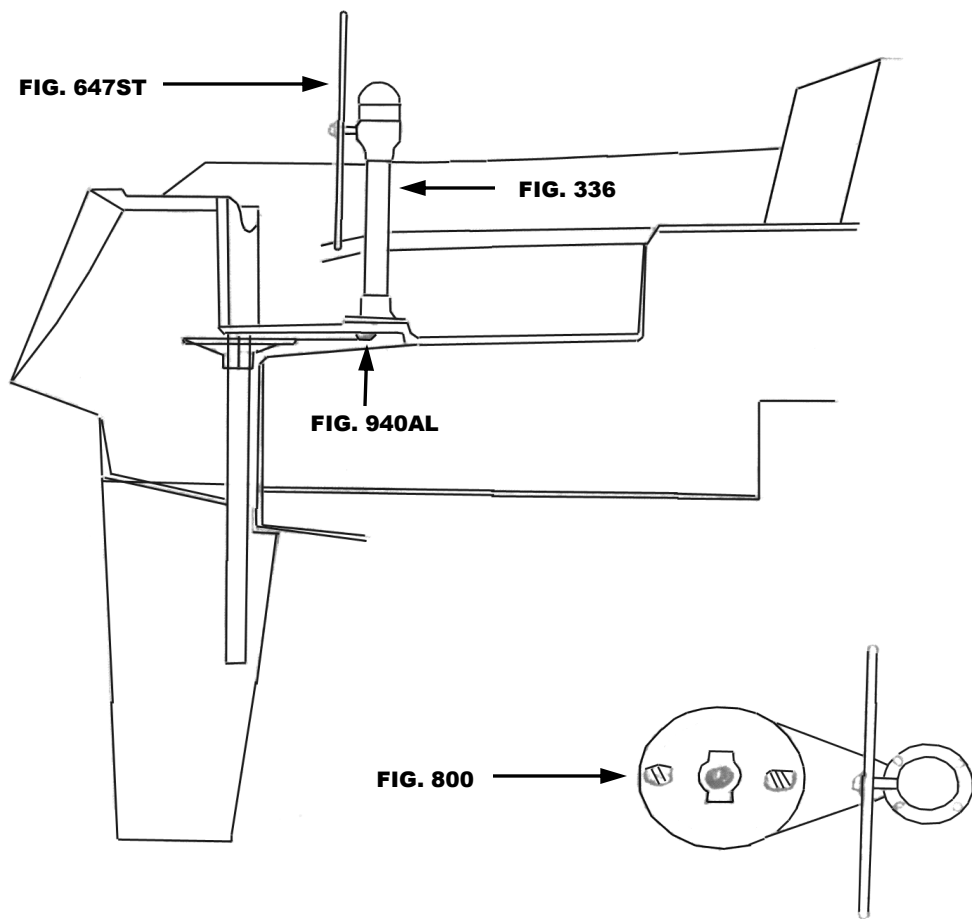


This schematic is intended to provide an outline for designing your system. Complete instructions for installation can be found in our "PLANNING & INSTALLATION GUIDE", which can be found on our website.

VISIT US ONLINE AT
WWW.EDSONMARINE.COM



STEERING COMPONENTS:

- | | |
|-------------------|---|
| 1 FIG. 336-5-211T | CLASSIC PEDESTAL STEERER/TAPERED |
| 1 FIG. 647ST-24-5 | DISHED DESTROYER WHEEL |
| 1 FIG. 77103 | CHAIN & WIRE ROPE KIT W/HARDWARE <i>[was 774-2S15B9]</i> |
| | <i>(15.FT #50 CHAIN, 9FT. 3/16" 7X19 305 SS WIRE ROPE)</i> |
| 1 FIG. 940AL-35/4 | RECESSED CROSSED WIRE IDLER |
| 1 FIG. 800-8 | RADIAL DRIVE WHEEL |
| 4 FIG. 646-4HEX | PEDESTAL MOUNTING BOLTS |
| 1 FIG. 697-3.5 | SUTFFING BOX/BEARING |

ERICSON 34 (S-1977)