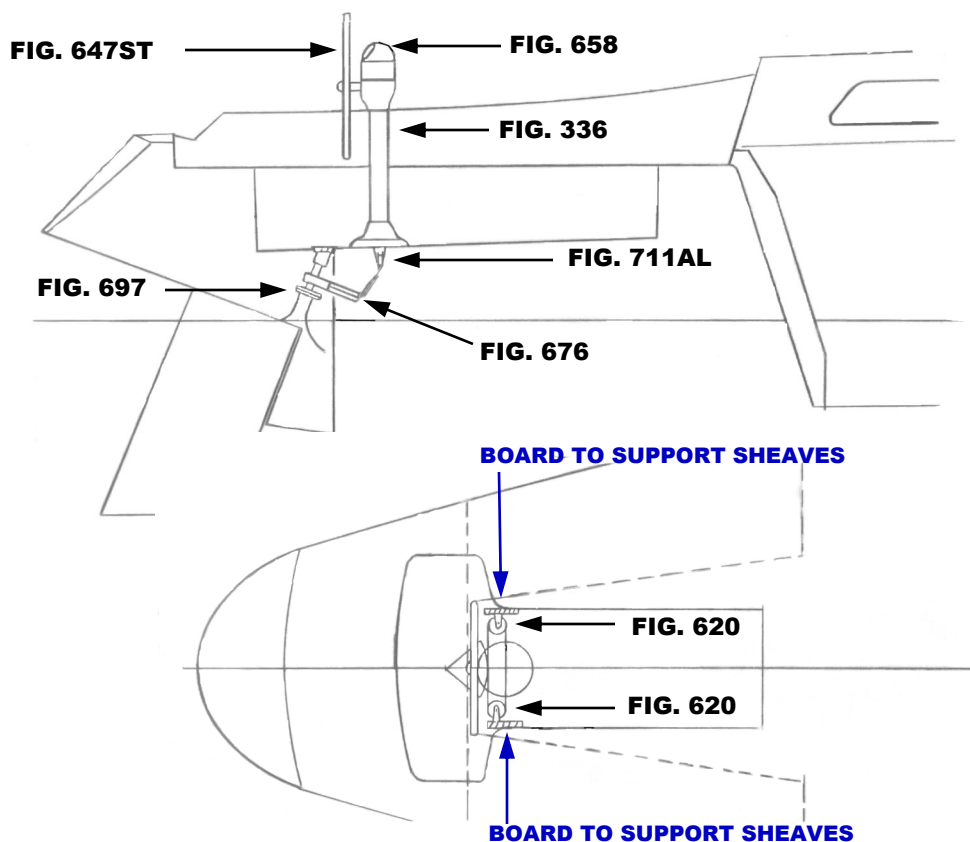


This schematic is intended to provide an outline for designing your system. Complete instructions for installation can be found in our "PLANNING & INSTALLATION GUIDE", which can be found on our website

VISIT US ONLINE AT
WWW.EDSONMARINE.COM



STEERING COMPONENTS:

- | | |
|-------------------|---|
| 1 FIG. 336-5-211T | CLASSIC PEDESTAL STEERER/TAPERED |
| 1 FIG. 647ST-30-5 | DISHED DESTROYER WHEEL |
| 1 FIG. 77111 | CHAIN & WIRE ROPE KIT W/HARDWARE [was 774-2S2B9] |
| | <i>(2FT #50 CHAIN, 9FT 3/16" 7X19 305 SS WIRE ROPE)</i> |
| 1 FIG. 711AL-4AL | ADJUSTABLE IDLER |
| 2 FIG. 620BR-4AL | UPRIGHT SINGLE SHEAVE ASSY. |
| 1 FIG. 676-10 | LARGE BORE QUADRANT |
| 4 FIG. 646-4HEX | PEDESTAL MOUNTING BOLTS |

(A FIG. 697 STUFFING BOX/BEARING MAY BE REQUIRED)