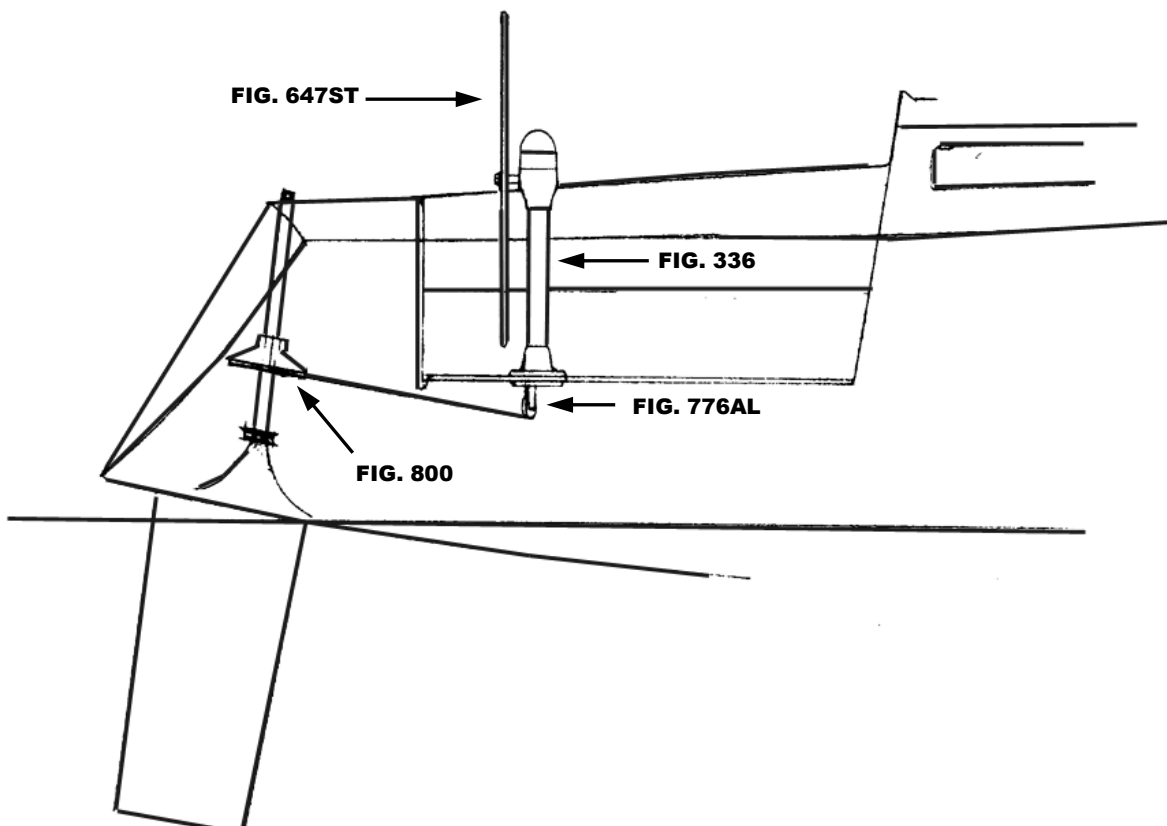




EXPRESS 37

THIS SCHEMATIC IS INTENDED TO PROVIDE AN OUTLINE FOR DESIGNING YOUR SYSTEM. COMPLETE INSTRUCTIONS FOR INSTALLATION CAN BE FOUND IN OUR "PLANNING & INSTALLATION GUIDE", WHICH CAN BE FOUND ON OUR WEBSITE.

VISIT US ONLINE AT
WWW.EDSONMARINE.COM



STEERING COMPONENTS:

- | | |
|---|--|
| 1 FIG. 336-5-211T | CLASSIC PEDESTAL STEERER/TAPERED |
| 1 FIG. 647ST-48-7 | DISHED DESTROYER WHEEL |
| 1 FIG. 77201 | CHAIN & WIRE ROPE KIT W/HARDWARE <i>[was 774-2B2D9</i> |
| | <i>(2FT #50 CHAIN, 9FT 1/4" 7X19 305 SS WIRE ROPE)</i> |
| 1 FIG. 776AL-6AL | ADJUSTABLE CROSSED WIRE IDLER |
| 1 FIG. 800-8 | RADIAL DRIVE WHEEL |
| 4 FIG. 646-4HEX | PEDESTAL MOUNTING BOLTS |
| (A FIG. 697 STUFFING BOX/BEARING MAY BE REQUIRED) | |