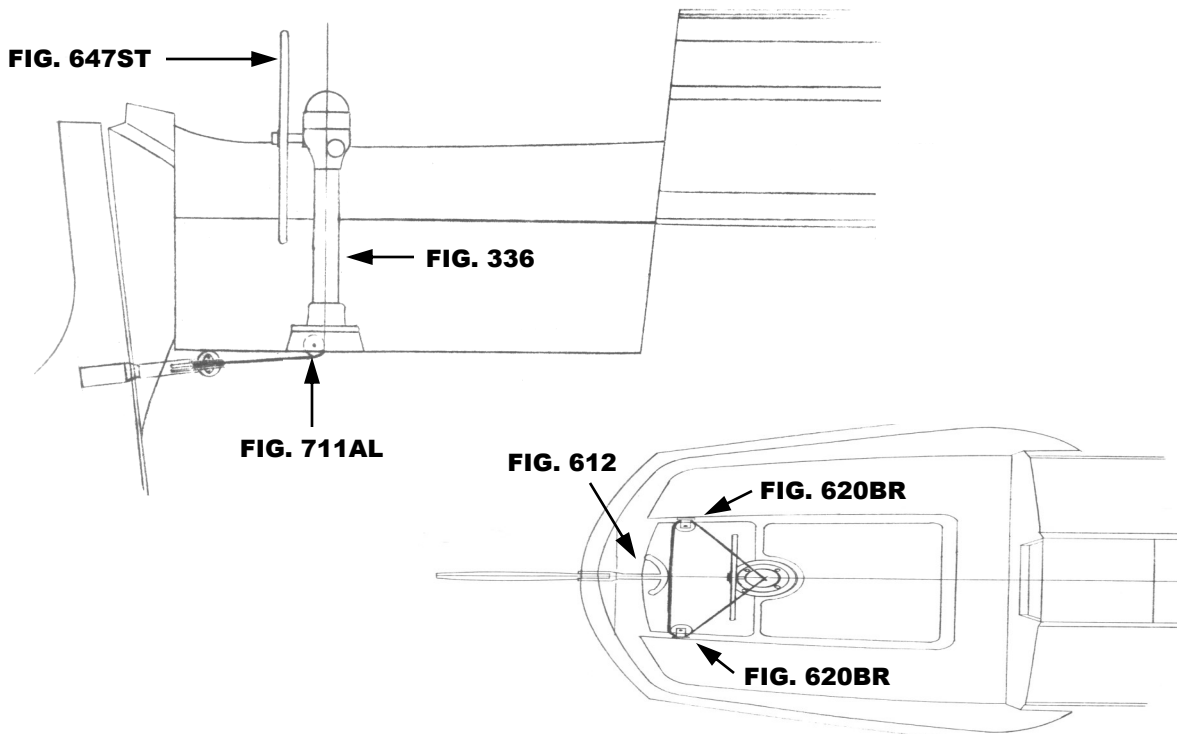




FREEDOM 28

THIS SCHEMATIC IS INTENDED TO PROVIDE AN OUTLINE FOR DESIGNING YOUR SYSTEM. COMPLETE INSTRUCTIONS FOR INSTALLATION CAN BE FOUND IN OUR "PLANNING & INSTALLATION GUIDE", WHICH CAN BE FOUND ON OUR WEBSITE.

VISIT US ONLINE AT
WWW.EDSONMARINE.COM



STEERING COMPONENTS:

- 1 FIG. 336-5-211T
- 1 FIG. 813-25
- 1 FIG. 647ST-28-5
- 1 FIG. 77111

- 1 FIG. 711AL-4AL
- 2 FIG. 620BR-4AL
- 1 FIG. 612-10-275
- 4 FIG. 646-4HEX

- CLASSIC PEDESTAL STEERER/TAPERED
- PEDESTAL RISER
- DISHED DESTROYER WHEEL
- CHAIN & WIRE ROPE KIT W/HARDWARE *[was 774-2S2B9]*
- (2FT #50 CHAIN, 9FT 3/16" 7X19 305 SS WIRE ROPE)*
- ADJUSTABLE IDLER
- UPRIGHT SINGLE SHEAVE ASSY.
- OUTBOARD RUDDER QUADRANT
- PEDESTAL MOUNTING BOLTS

