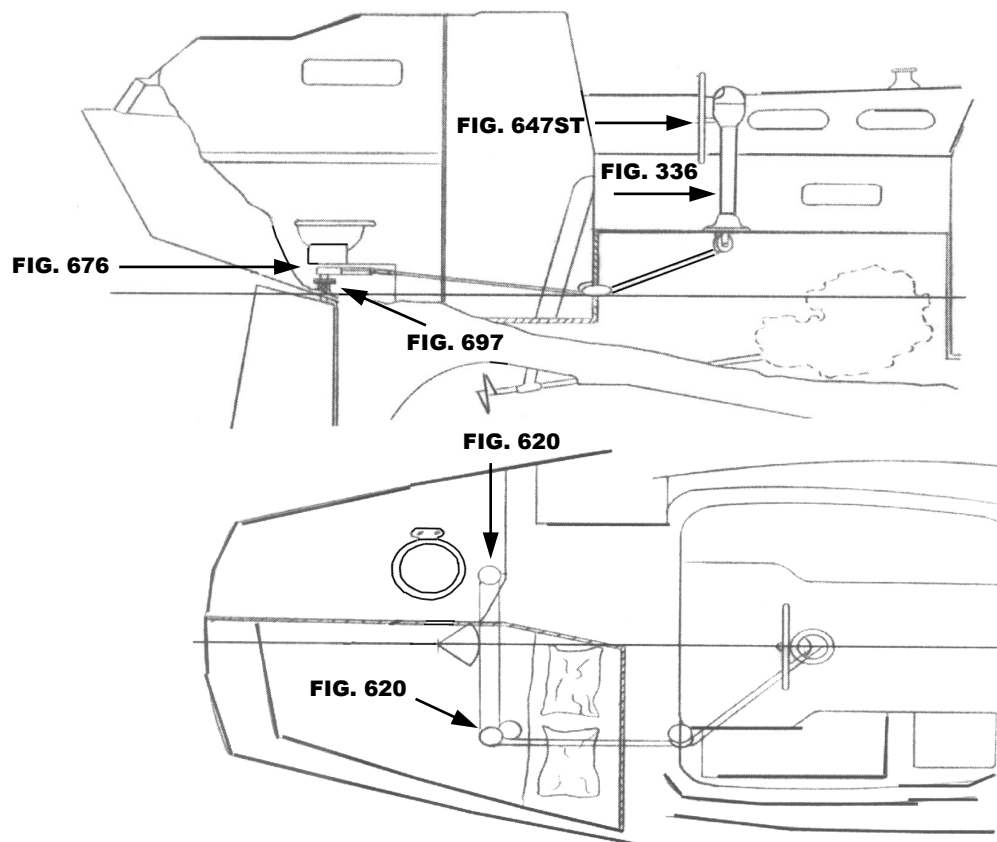


This schematic is intended to provide an outline for designing your system. Complete instructions for installation can be found in our "PLANNING & INSTALLATION GUIDE", which can be found on our website.

VISIT US ONLINE AT  
[WWW.EDSONMARINE.COM](http://WWW.EDSONMARINE.COM)



#### **STEERING COMPONENTS:**

1 FIG. 336-5-211T  
 1 FIG. 647ST-24-5  
 1 FIG. 77103

1 FIG. 711AL-4AL  
 3 FIG. 620BR-6AL  
 1 FIG. 626ST-6ALNB  
 1 FIG. 676-10  
 4 FIG. 646-4HEX

**CLASSIC PEDESTAL STEERER/TAPERED  
 DISHED DESTROYER WHEEL  
 CHAIN & WIRE ROPE KIT W/HARDWARE [was 774-2S15B9]  
 (1.5FT #50 CHAIN, 9FT 3/16" 7X19 305 SS WIRE ROPE)  
 ADJUSTABLE WIRE IDLER  
 UPRIGHT SINGLE SHEAVE ASSY.  
 ARTICULOCK DOUBLE SHEAVE ASSY.  
 MANGANESE BRONZE QUADRANT  
 PEDESTAL MOUNTING BOLTS**

(A FIG. 697 STUFFING BOX/BEARING MAY BE REQUIRED)