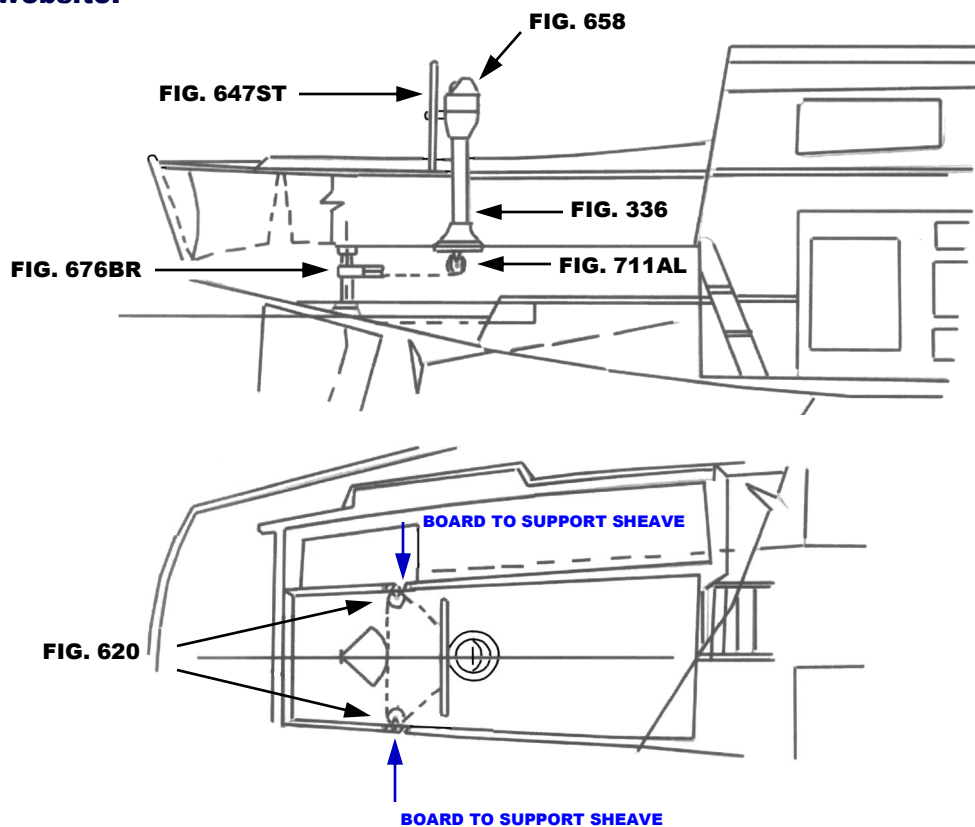




GULF COAST 29

This schematic is intended to provide an outline for designing your system. Complete instructions for installation can be found in our "PLANNING & INSTALLATION GUIDE", which can be found on our website.

VISIT US ONLINE AT
WWW.EDSONMARINE.COM



STEERING COMPONENTS:

1 FIG. 336-5-211T
1 FIG. 647ST-20-5
1 FIG. 77103

1 FIG. 711AL-4AL
2 FIG. 620BR-4AL
1 FIG. 676BR-8
4 FIG. 646-4HEX

CLASSIC PEDESTAL STEERER/TAPERED
DISHED DESTROYER WHEEL
CHAIN & WIRE ROPE KIT W/HARDWARE [*was 774-2S15B9*]
(1.5FT #50 CHAIN, 9FT 3/16" 7X19 305 SS WIRE ROPE)
ADJUSTABLE WIRE IDLER
UPRIGHT SINGLE SHEAVE ASSY.
MANGANESE BRONZE QUADRANT
PEDESTAL MOUNTING BOLTS

(A FIG. 697 STUFFING BOX/BEARING MAY BE REQUIRED)