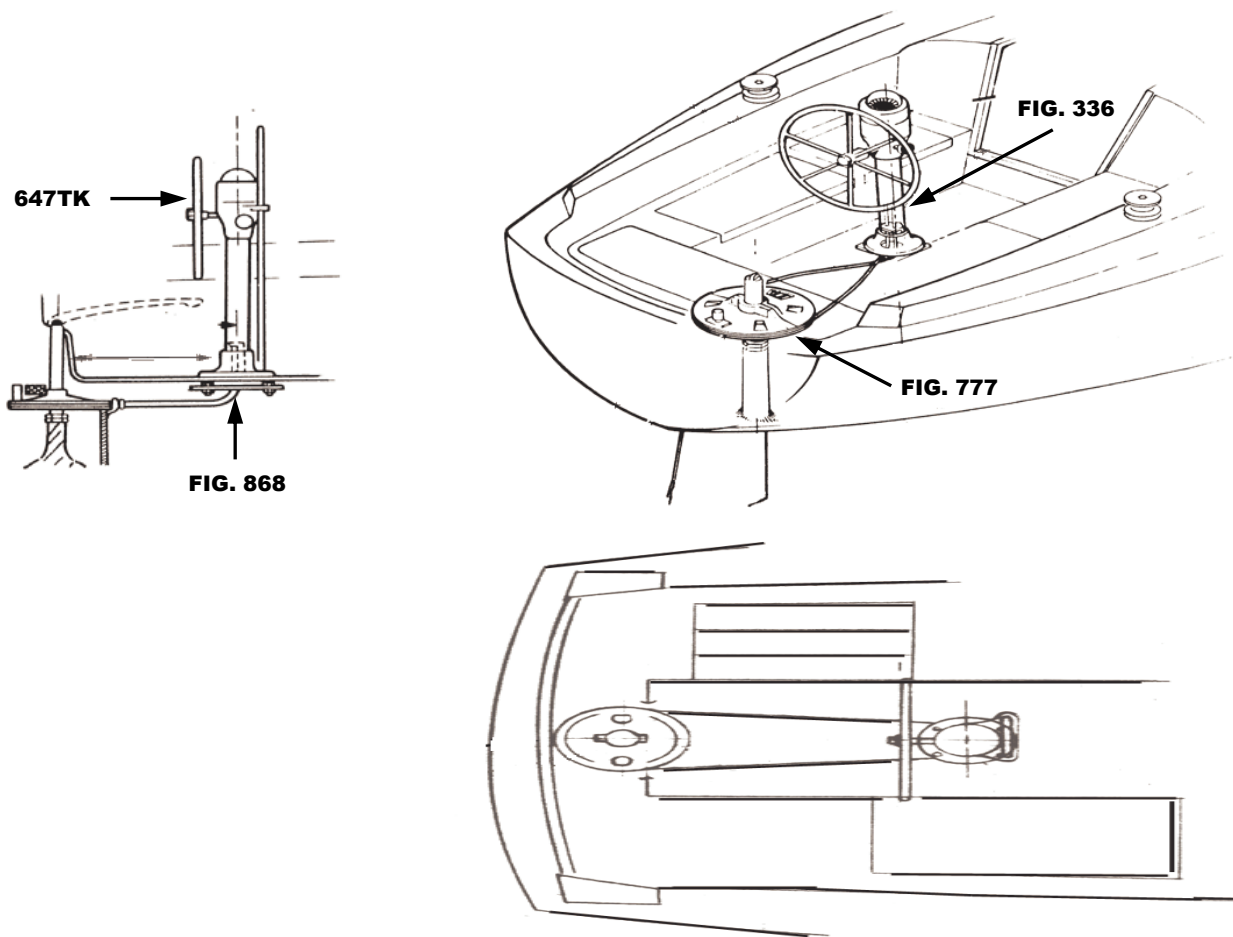


THIS SCHEMATIC IS INTENDED TO PROVIDE AN OUTLINE FOR DESIGNING YOUR SYSTEM. COMPLETE INSTRUCTIONS FOR INSTALLATION CAN BE FOUND IN OUR "PLANNING & INSTALLATION GUIDE", WHICH CAN BE FOUND ON OUR WEBSITE.

VISIT US ONLINE AT
WWW.EDSONMARINE.COM



STEERING COMPONENTS:

- 1 FIG. 336-5-211T
- 1 FIG. 647TK-26-5
- 1 FIG. 77101

- 1 FIG. 868-2
- 2 FIG. 797-3
- 1 FIG. 777-6.5
- 4 FIG. 646-4HEX

- CLASSIC PEDESTAL STEERER/TAPERED**
- TEAK RIMMED DISHED DESTROYER WHEEL**
- CHAIN & WIRE ROPE KIT W/HARDWARE [was 774-2S15B7]**
(1.5FT #50 CHAIN, 7FT 3/16" 7X19 305 SS WIRE ROPE)
- INTERNAL CONDUIT BRACKET**
- PULL/PULL CONDUIT W/END FITTINGS**
- RADIAL DRIVE WHEEL**
- PEDESTAL MOUNTING BOLTS**

HARBOR 25 (S-3365)