

Steering Data Sheet

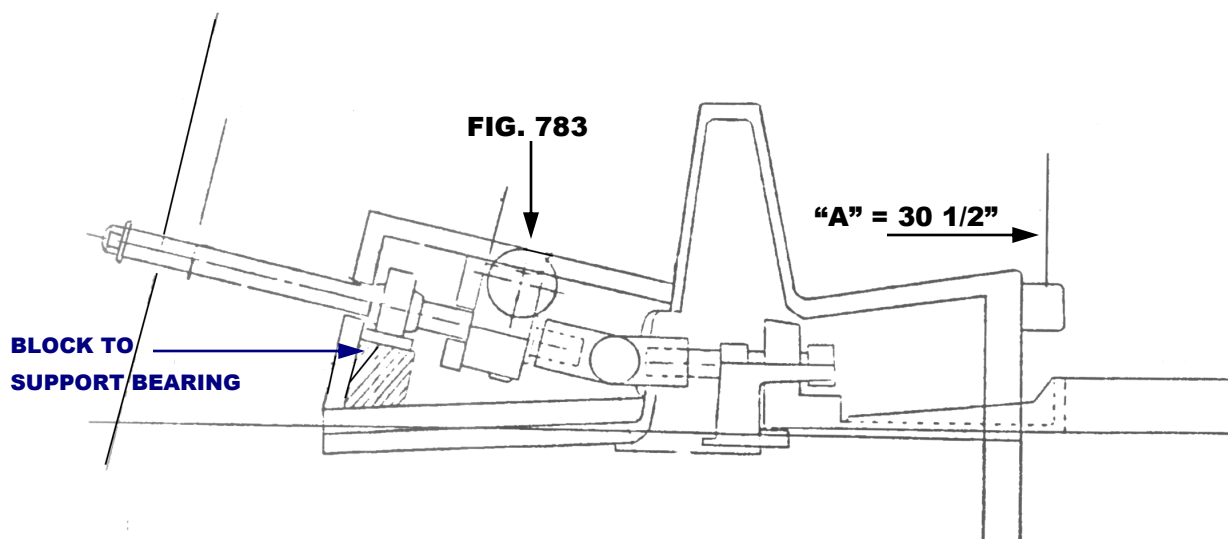


HERRESHOFF EAGLE & AMERICA

S-444-3

THIS SCHEMATIC IS INTENDED TO PROVIDE AN OUTLINE FOR DESIGNING YOUR SYSTEM. COMPLETE INSTRUCTIONS FOR INSTALLATION CAN BE FOUND IN OUR "PLANNING & INSTALLATION GUIDE", WHICH CAN BE FOUND ON OUR WEBSITE.

VISIT US ONLINE AT
WWW.EDSONMARINE.COM



STEERING COMPONENTS:

- | | |
|-------------------|--|
| 1 FIG. 341-9-175 | RACK & PINION STEERER, TRANSOM HUNG RUDDER (A= 30 1/2) |
| 1 FIG. 645ST-20-5 | DISHED DESTROYER WHEEL |
| 1 FIG. 352-100 | SHAFT/UNIVERSAL/BEARING ASSY.
(SPECIFY OVERALL LENGTH OF SHAFT) |
| 1 FIG. 783ST-8 | SHAFT MOUNT BRAKE WITH KNOB |



146 DUCHAINE BLVD, NEW BEDFORD, MA 02745-1292 Tel: 508-995-9711 Fax: 508-995-5021 FREE FAX: 800-338-5021

HERRESHOFF EAGLE & AMERICA (S-444-3)