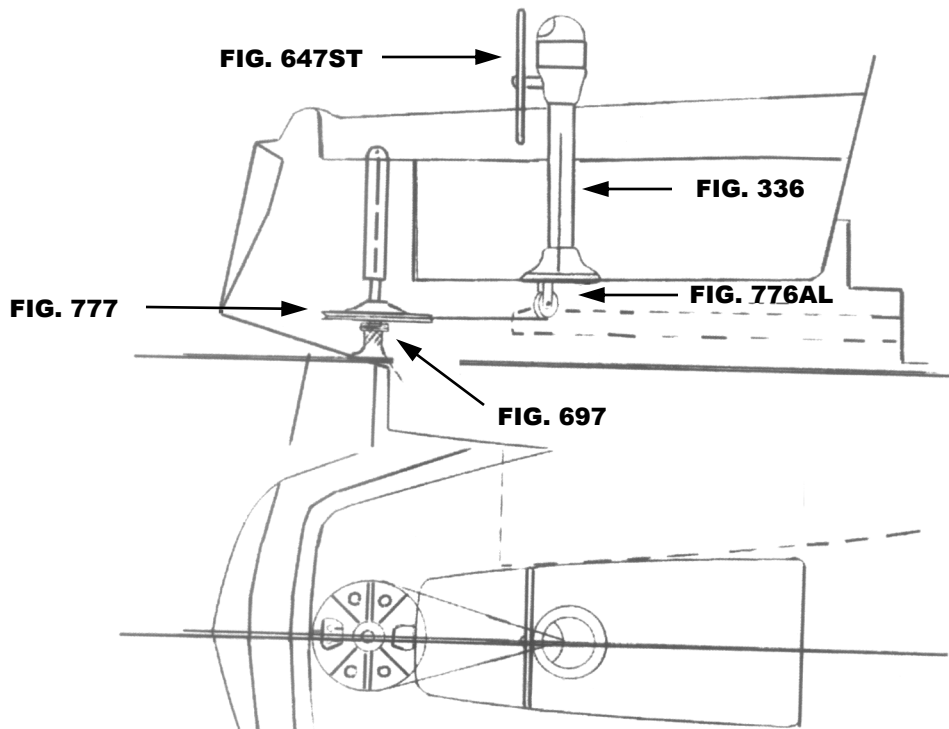




HUNTER 25

This schematic is intended to provide an outline for designing your system. Complete instructions for installation can be found in our "PLANNING & INSTALLATION GUIDE", which can be found on our website.

VISIT US ONLINE AT
WWW.EDSONMARINE.COM



THE SCUPPER DRAIN ON SOME MODELS MAY HAVE TO BE MODIFIED IN ORDER TO HAVE THE RADIAL DRIVE WHEEL FIT.

STEERING COMPONENTS:

- 1 FIG. 336-5-211T
- 1 FIG. 647ST-20-5
- 1 FIG. 77103
- 1 FIG. 776AL-4AL
- 1 FIG. 777-6.5
- 4 FIG. 646-4HEX

- CLASSIC PEDESTAL STEERER/TAPERED
- DISHED DESTROYER WHEEL
- CHAIN & WIRE ROPE KIT W/HARDWARE *[was 774-2S15B9]*
- (1.5FT #50 CHAIN, 9FT 3/16" 7X19 305 SS WIRE ROPE)*
- ADJUSTABLE CROSSED WIRE IDLER
- RADIAL DRIVE WHEEL
- PEDESTAL MOUNTING BOLTS

(A FIG. 697 STUFFING BOX/BEARING MAY BE REQUIRED)

