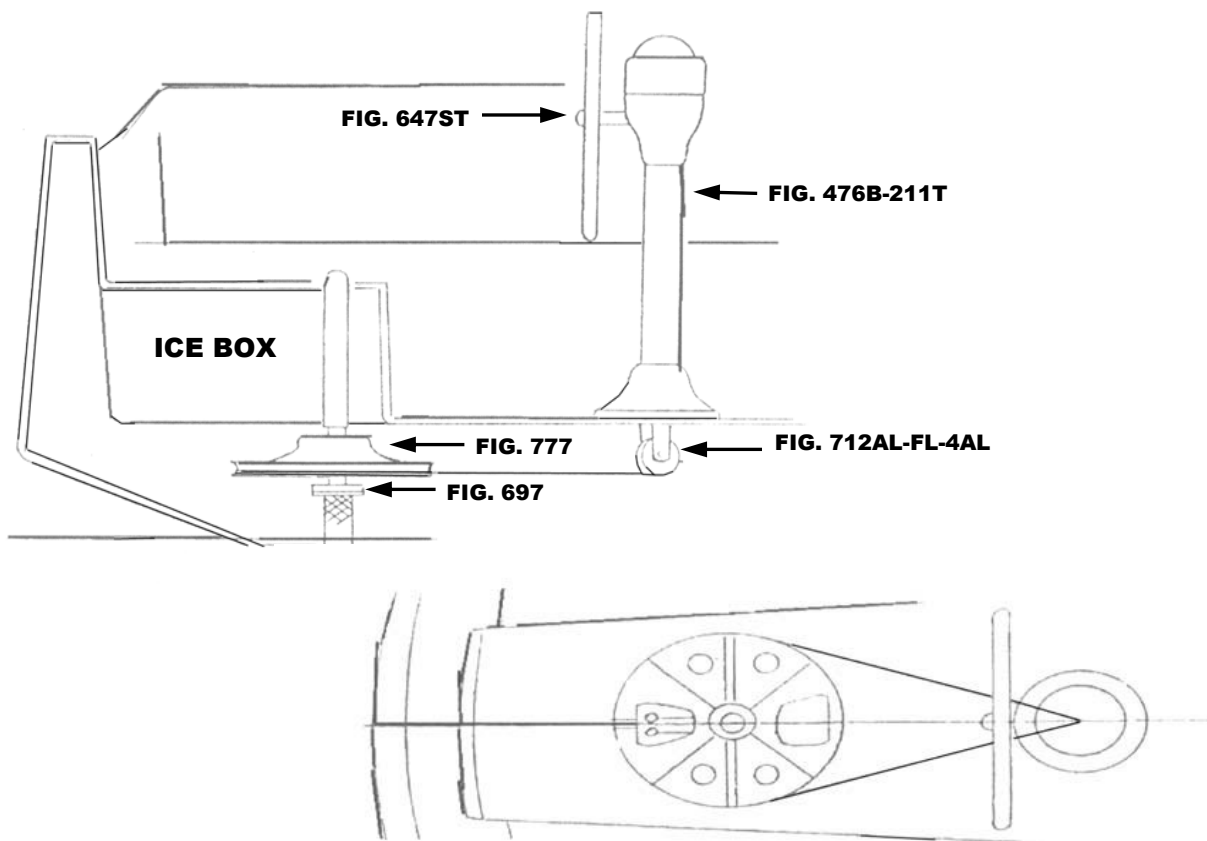




# HUNTER 27 #2

**THIS SCHEMATIC IS INTENDED TO PROVIDE AN OUTLINE FOR DESIGNING YOUR SYSTEM. COMPLETE INSTRUCTIONS FOR INSTALLATION CAN BE FOUND IN OUR "PLANNING & INSTALLATION GUIDE", WHICH CAN BE FOUND ON OUR WEBSITE.**

VISIT US ONLINE AT  
[WWW.EDSONMARINE.COM](http://WWW.EDSONMARINE.COM)



**STEERING COMPONENTS:**

- |                     |  |
|---------------------|--|
| 1 FIG. 476B-211T    | <b>VISION II PEDESTAL STEERER/TAPERED</b>                    |
| 1 FIG. 647ST-20-5   | <b>DISHED DESTROYER WHEEL</b>                                |
| 1 FIG. 77103        | <b>CHAIN &amp; WIRE ROPE KIT W/HARDWARE [was 774-2S15B9]</b> |
|                     | <i>(1.5FT #50 CHAIN, 9FT 3/16" 7X19 305 SS WIRE ROPE)</i>    |
| 1 FIG. 712AL-FL-4AL | <b>ADJUSTABLE CROSSED WIRE IDLER FOR 476 PEDESTAL</b>        |
| 1 FIG. 777-8        | <b>RADIAL DRIVE WHEEL</b>                                    |

**(A FIG. 697 STUFFING BOX/BEARING MAY BE REQUIRED)**

HUNTER 27 (S-734)

