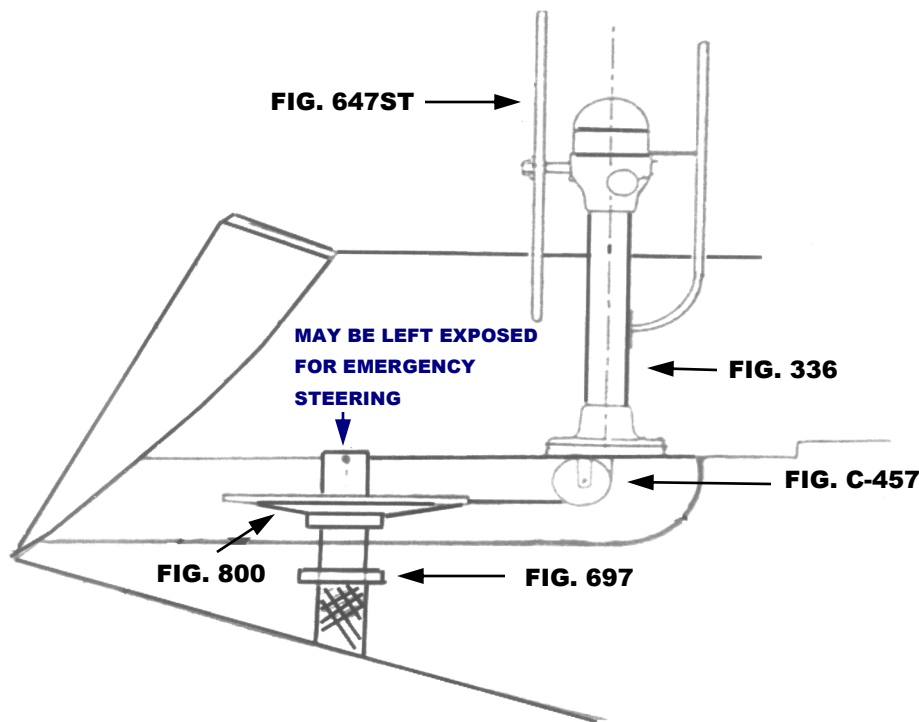




HUNTER LEGEND 35

THIS SCHEMATIC IS INTENDED TO PROVIDE AN OUTLINE FOR DESIGNING YOUR SYSTEM. COMPLETE INSTRUCTIONS FOR INSTALLATION CAN BE FOUND IN OUR "PLANNING & INSTALLATION GUIDE", WHICH CAN BE FOUND ON OUR WEBSITE.

VISIT US ONLINE AT
WWW.EDSONMARINE.COM



STEERING COMPONENTS:

- | | |
|--|--|
| <p>1 FIG. 336-5-211T
1 FIG. 647ST-36-5
1 FIG. 77101</p> | <p>CLASSIC PEDESTAL STEERER/TAPERED
DISHED DESTROYER WHEEL</p> |
| <p>1 FIG. 960-C-457
1 FIG. 800-8
4 FIG. 646-4HEX
(A FIG. 697 STUFFING BOX/BEARING MAY BE REQUIRED)</p> | <p>CHAIN & WIRE ROPE KIT W/HARDWARE [was 774-2S15B7]
(1.5FT #50 CHAIN, 7FT 3/16" 7X19 305 SS WIRE ROPE)</p> <p>CUSTOM IDLER FOR HUNTER LEGEND</p> <p>RADIAL DRIVE WHEEL</p> <p>PEDESTAL MOUNTING BOLTS</p> |

HUNTER LEGEND 35 (S-2018)

