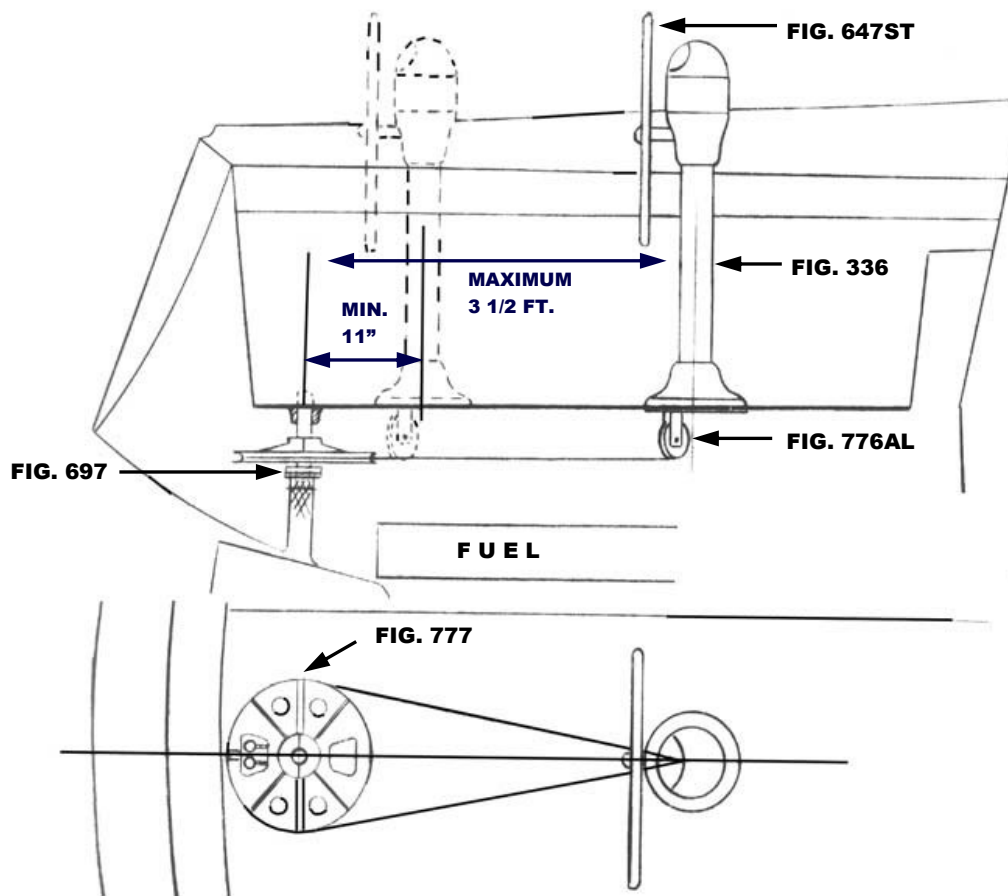


**THIS SCHEMATIC IS INTENDED TO PROVIDE AN OUTLINE FOR DESIGNING YOUR SYSTEM. COMPLETE INSTRUCTIONS FOR INSTALLATION CAN BE FOUND IN OUR "PLANNING & INSTALLATION GUIDE", WHICH CAN BE FOUND ON OUR WEBSITE.**

VISIT US ONLINE AT  
[WWW.EDSONMARINE.COM](http://WWW.EDSONMARINE.COM)



### STEERING COMPONENTS:

- |   |   |
|---|---|
| 1 FIG. 336-5-211T                                 | CLASSIC PEDESTAL STEERER/TAPERED                          |
| 1 FIG. 647ST-24-5                                 | DISHED DESTROYER WHEEL                                    |
| 1 FIG. 77103                                      | CHAIN & WIRE ROPE KIT W/HARDWARE <i>[was 774-2S15B9]</i>  |
|   | <i>(1.5FT #50 CHAIN, 9FT 3/16" 7X19 305 SS WIRE ROPE)</i> |
| 1 FIG. 776AL-4AL                                  | ADJUSTABLE CROSSED WIRE IDLER                             |
| 1 FIG. 777-8                                      | RADIAL DRIVE WHEEL  |
| 4 FIG. 646-4HEX                                   | PEDESTAL MOUNTING BOLTS                                   |
| (A FIG. 697 STUFFING BOX/BEARING MAY BE REQUIRED) |   |