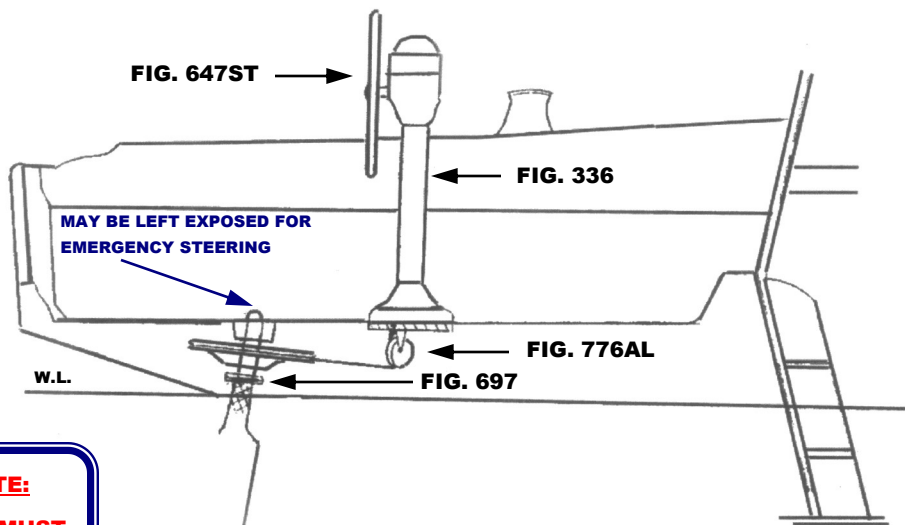
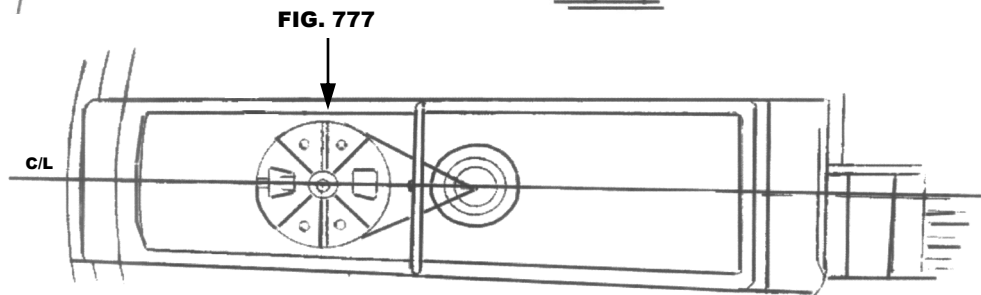


THIS SCHEMATIC IS INTENDED TO PROVIDE AN OUTLINE FOR DESIGNING YOUR SYSTEM. COMPLETE INSTRUCTIONS FOR INSTALLATION CAN BE FOUND IN OUR "PLANNING & INSTALLATION GUIDE", WHICH CAN BE FOUND ON OUR WEBSITE.

VISIT US ONLINE AT  
[WWW.EDSONMARINE.COM](http://WWW.EDSONMARINE.COM)



**NOTE:**  
 WIRES MUST BE CROSSED WITHIN PEDESTAL FOR PROPER STEERING DIRECTION



IRWIN 25 (S-382-2)

**STEERING COMPONENTS:**

- |   |  |
|---|--|
| 1 FIG. 336-5-211T                                 | CLASSIC PEDESTAL STEERER/TAPERED                         |
| 1 FIG. 647ST-22-5                                 | DISHED DESTROYER WHEEL                                   |
| 1 FIG. 77103                                      | CHAIN & WIRE ROPE KIT W/HARDWARE <i>[was 774-2S15B9]</i> |
|   | (1.5FT #50 CHAIN, 9FT 3/16" 7X19 305 SS WIRE ROPE)       |
| 1 FIG. 776AL-4AL                                  | ADJUSTABLE CROSSED WIRE IDLER                            |
| 1 FIG. 777-8                                      | RADIAL DRIVE WHEEL                                       |
| 4 FIG. 646-4HEX                                   | PEDESTAL MOUNTING BOLTS                                  |
| (A FIG. 697 STUFFING BOX/BEARING MAY BE REQUIRED) |  |