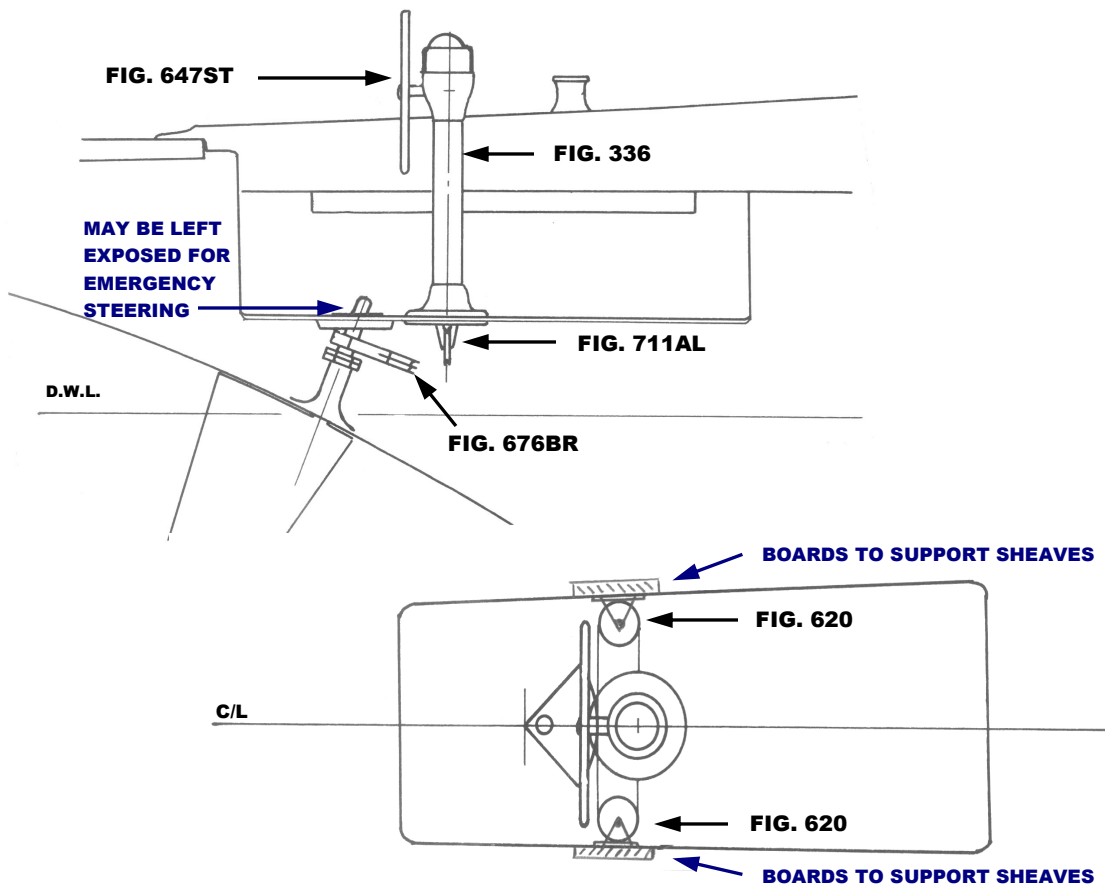


This schematic is intended to provide an outline for designing your system. Complete instructions for installation can be found in our "PLANNING & INSTALLATION GUIDE", which can be found on our website.

VISIT US ONLINE AT  
[WWW.EDSONMARINE.COM](http://WWW.EDSONMARINE.COM)



**STEERING COMPONENTS:**

- 1 FIG. 336-5-211T
- 1 FIG. 647ST-22-5
- 1 FIG. 77103
- 1 FIG. 711AL-4AL
- 2 FIG. 620AL-4AL
- 1 FIG. 676BR-8
- 4 FIG. 646-4HEX

- CLASSIC PEDESTAL STEERER/TAPERED
- DISHED DESTROYER WHEEL
- CHAIN & WIRE ROPE KIT W/HARDWARE *[was 774-2S15B9]*
- (1.5FT #50 CHAIN, 9FT 3/16" 7X19 305 SS WIRE ROPE)*
- ADJUSTABLE CROSSED WIRE IDLER
- UPRIGHT SINGLE SHEAVE ASSY.
- MANGANESE BRONZE QUADRANT
- PEDESTAL MOUNTING BOLTS

(A FIG. 697 STUFFING BOX/BEARING MAY BE REQUIRED)