

# Steering Data Sheet

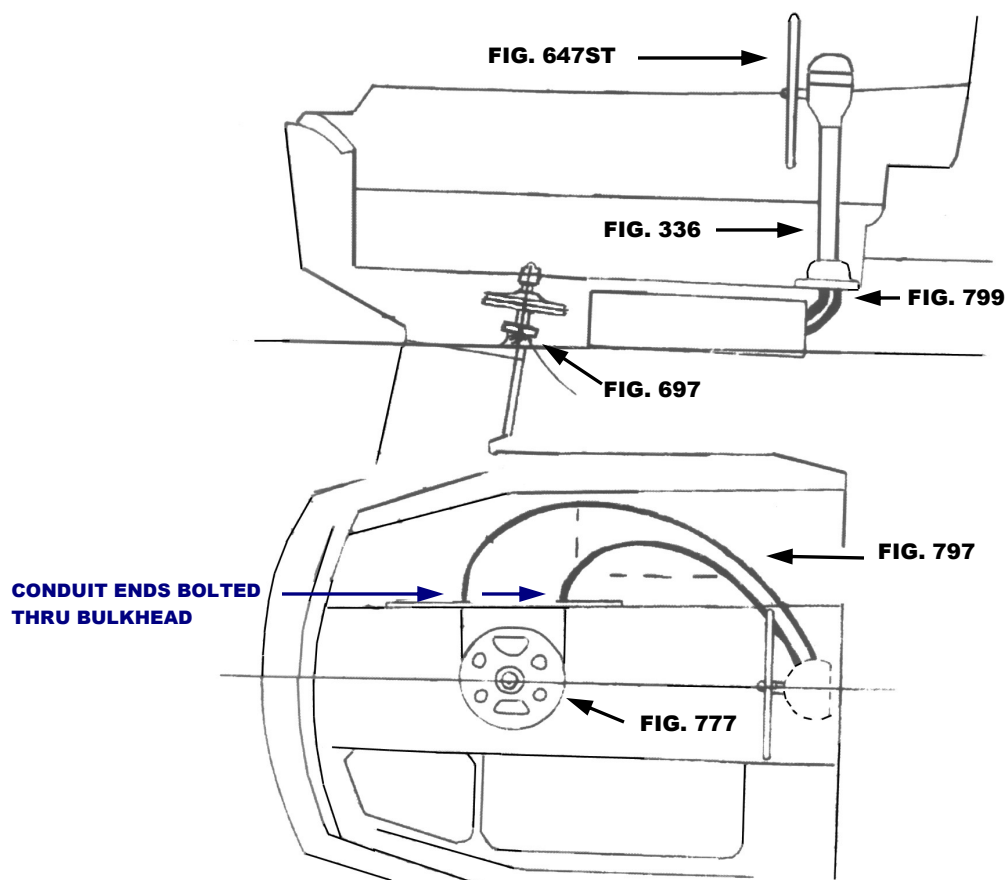


S-534-2

## IRWIN 28 MK III & IV

This schematic is intended to provide an outline for designing your system. Complete instructions for installation can be found in our "PLANNING & INSTALLATION GUIDE", which can be found on our website.

VISIT US ONLINE AT  
[WWW.EDSONMARINE.COM](http://WWW.EDSONMARINE.COM)



IRWIN 28 MK III & IV (S-534-2)

### STEERING COMPONENTS:

1 FIG. 336-5-211T  
1 FIG. 647ST-22-5  
1 FIG. 77105

2 FIG. 797-7  
1 FIG. 799-2  
1 FIG. 777-8

4 FIG. 646-4HEX

(A FIG. 697 STUFFING BOX/BEARING MAY BE REQUIRED)

CLASSIC PEDESTAL STEERER/TAPERED

DISHES DESTROYER WHEEL

CHAIN & WIRE ROPE KIT W/HARDWARE *[was 774-2S15B13]*  
(1.5FT #50 CHAIN, 13FT 3/16" 7X19 305 SS WIRE ROPE)

PULL/PULL CONDUIT W/END FITTINGS

CONDUIT MOUNTING PLATE

RADIAL DRIVE WHEEL

PEDESTAL MOUNTING BOLTS

