

Steering Data Sheet



ISLAND PACKET 27, 31 & 38

S-1252

THIS SCHEMATIC IS INTENDED TO PROVIDE AN OUTLINE FOR DESIGNING YOUR SYSTEM. COMPLETE INSTRUCTIONS FOR INSTALLATION CAN BE FOUND IN OUR "PLANNING & INSTALLATION GUIDE", WHICH CAN BE FOUND ON OUR WEBSITE.

VISIT US ONLINE AT
WWW.EDSONMARINE.COM

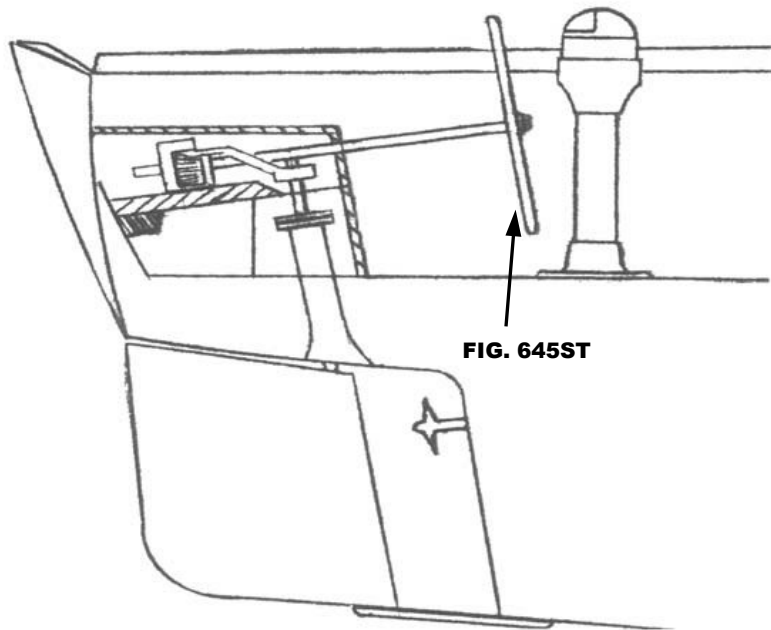


FIG. 645ST

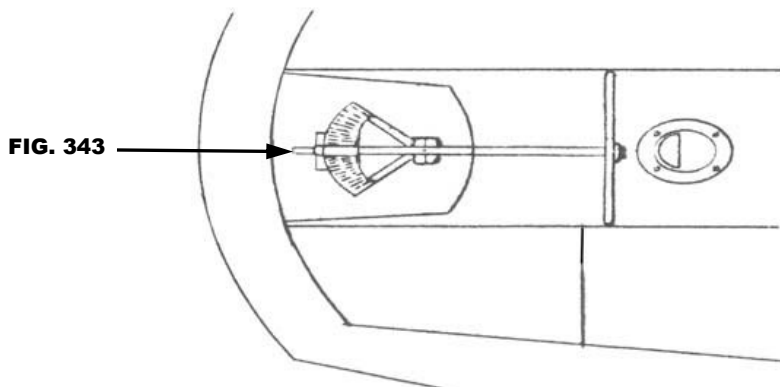


FIG. 343

STEERING COMPONENTS:

1 FIG. 343-1S

1 FIG. 645ST-26-5

4 FIG. 646-4HEX

AFT MOUNT RACK & PINION STEERER

DISHED DESTROYER WHEEL

PEDESTAL MOUNTING BOLTS



146 DUCHAINE BLVD, NEW BEDFORD, MA 02745-1292 Tel: 508-995-9711 Fax: 508-995-5021 FREE FAX: 800-338-5021

ISLAND PACKET 27, 31 & 38 (S-1252)