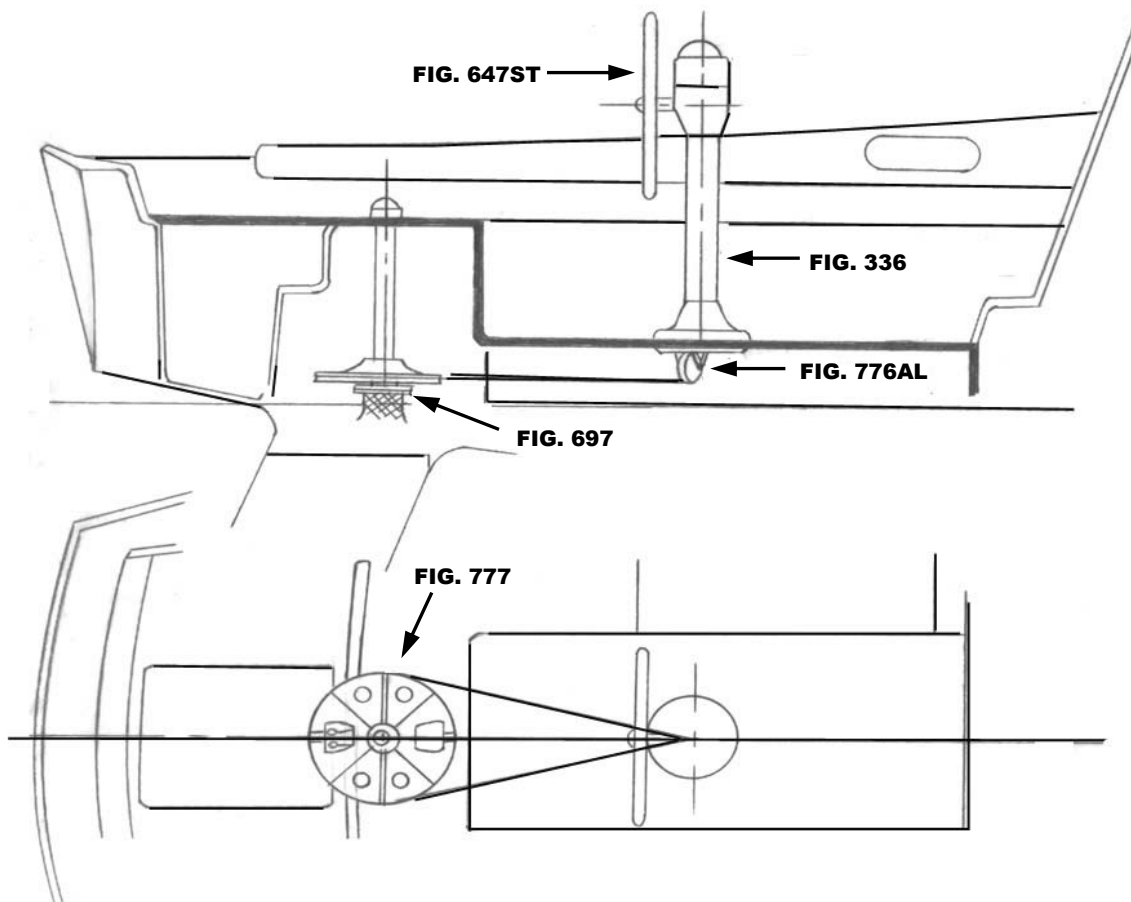


**THIS SCHEMATIC IS INTENDED TO PROVIDE AN OUTLINE FOR DESIGNING YOUR SYSTEM. COMPLETE INSTRUCTIONS FOR INSTALLATION CAN BE FOUND IN OUR "PLANNING & INSTALLATION GUIDE", WHICH CAN BE FOUND ON OUR WEBSITE.**

**VISIT US ONLINE AT  
WWW.EDSONMARINE.COM**



**STEERING COMPONENTS:**

- 1 FIG. 336-5-211T
- 1 FIG. 647ST-22-5
- 1 FIG. 77103

**CLASSIC PEDESTAL STEERER/TAPERED  
DISHED DESTROYER WHEEL  
CHAIN & WIRE ROPE KIT W/HARDWARE [was 774-2S15B9]  
(1.5FT #50 CHAIN, 9FT 3/16" 7X19 305 SS WIRE ROPE)**

- 1 FIG. 776AL-4AL
- 1 FIG. 777-8

**ADJUSTABLE CROSSED WIRE IDLER  
RADIAL DRIVE WHEEL**

- 4 FIG. 646-4HEX

**PEDESTAL MOUNTING BOLTS**

**(A FIG. 697 STUFFING BOX/BEARING MAY BE REQUIRED)**

ISLANDER 26 (S-346-2)