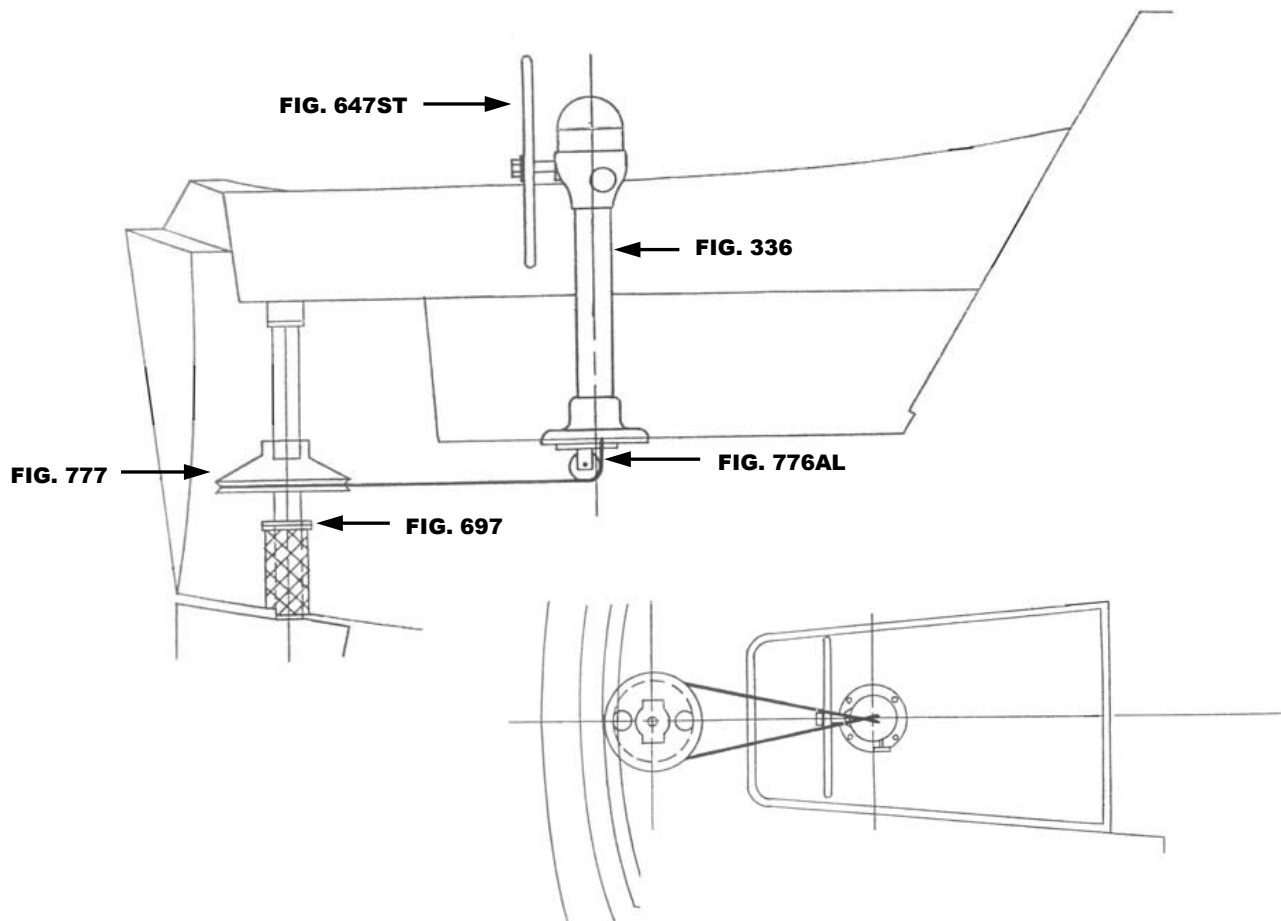


THIS SCHEMATIC IS INTENDED TO PROVIDE AN OUTLINE FOR DESIGNING YOUR SYSTEM. COMPLETE INSTRUCTIONS FOR INSTALLATION CAN BE FOUND IN OUR "PLANNING &

VISIT US ONLINE AT
WWW.EDSONMARINE.COM



STEERING COMPONENTS:

- 1 FIG. 336-5-211T
- 1 FIG. 647ST-22-5
- 1 FIG. 77103

CLASSIC PEDESTAL STEERER/TAPERED DISHED DESTROYER WHEEL
CHAIN & WIRE ROPE KIT W/HARDWARE *{was 774-2S15B9}*
(1.5FT #50 CHAIN, 9FT 3/16" 7X19 305 SS WIRE ROPE)

- 1 FIG. 776AL-4AL
- 1 FIG. 777-6.5
- 4 FIG. 646-4HEX

ADJUSTABLE CROSSED WIRE IDLER
RADIAL DRIVE WHEEL
PEDESTAL MOUNTING BOLTS

(A FIG. 697 STUFFING BOX/BEARING MAY BE REQUIRED)