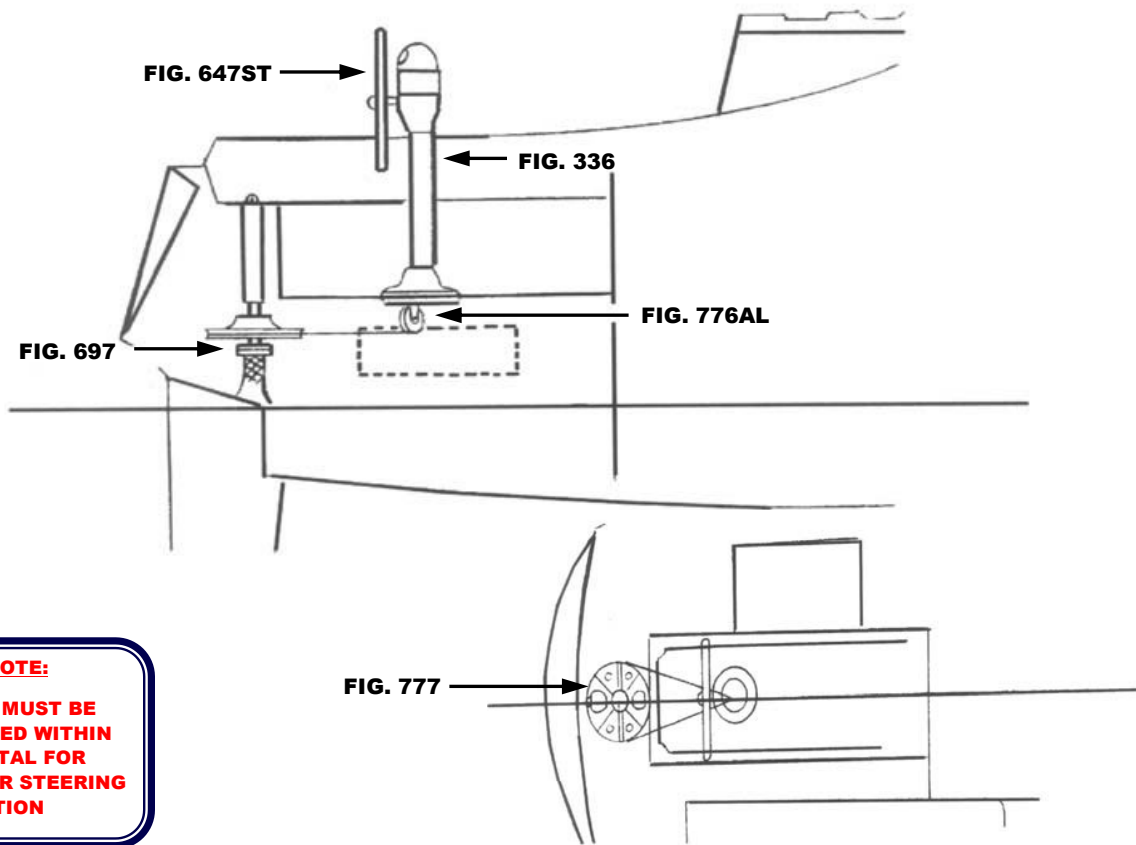




# ISLANDER 28

**THIS SCHEMATIC IS INTENDED TO PROVIDE AN OUTLINE FOR DESIGNING YOUR SYSTEM. COMPLETE INSTRUCTIONS FOR INSTALLATION CAN BE FOUND IN OUR "PLANNING & INSTALLATION GUIDE", WHICH CAN BE FOUND ON OUR WEBSITE.**

**VISIT US ONLINE AT  
[WWW.EDSONMARINE.COM](http://WWW.EDSONMARINE.COM)**



**NOTE:**  
**WIRES MUST BE CROSSED WITHIN PEDESTAL FOR PROPER STEERING DIRECTION**

**STEERING COMPONENTS:**

- |  |   |
|--|---|
| <p>1 FIG. 336-5-211T<br/>1 FIG. 647ST-24-5<br/>1 FIG. 77103<br/><br/>1 FIG. 776AL-4AL<br/>1 FIG. 777-8<br/>4 FIG. 646-4HEX<br/>(A FIG. 697 STUFFING BOX/BEARING MAY BE REQUIRED)</p> | <p><b>CLASSIC PEDESTAL STEERER/TAPERED DISHED DESTROYER WHEEL</b><br/><b>CHAIN &amp; WIRE ROPE KIT W/HARDWARE</b> <i>[was 774-2S15B9]</i><br/><i>(1.5FT #50 CHAIN, 9FT 3/16" 7X19 305 SS WIRE ROPE)</i><br/><b>ADJUSTABLE CROSSED WIRE IDLER</b><br/><b>RADIAL DRIVE WHEEL</b><br/><b>PEDESTAL MOUNTING BOLTS</b></p> |
|--|---|

