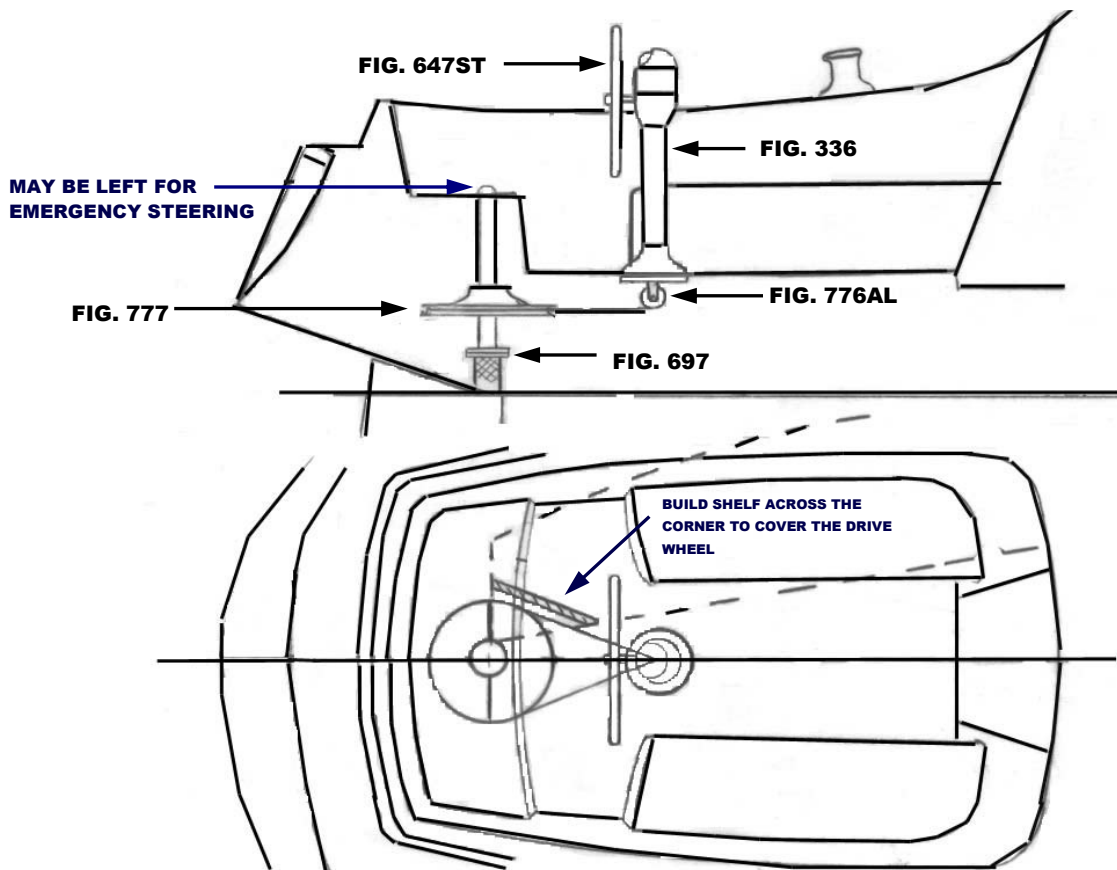


**THIS SCHEMATIC IS INTENDED TO PROVIDE AN OUTLINE FOR DESIGNING YOUR SYSTEM. COMPLETE INSTRUCTIONS FOR INSTALLATION CAN BE FOUND IN OUR "PLANNING & INSTALLATION GUIDE", WHICH CAN BE FOUND ON OUR WEBSITE.**

VISIT US ONLINE AT  
[WWW.EDSONMARINE.COM](http://WWW.EDSONMARINE.COM)



**STEERING COMPONENTS:**

- 1 FIG. 336-5-211T
- 1 FIG. 647ST-28-5
- 1 FIG. 77103

**CLASSIC PEDESTAL STEERER/TAPERED DISHED DESTROYER WHEEL**  
**CHAIN & WIRE ROPE KIT W/HARDWARE** *[was 774-2S15B9]*  
*(1.5FT #50 CHAIN, 9FT 3/16" 7X19 305 SS WIRE ROPE)*

- 1 FIG. 776AL-4AL
- 1 FIG. 777-10
- 4 FIG. 646-4HEX

**ADJUSTABLE CROSSED WIRE IDLER**  
**RADIAL DRIVE WHEEL**  
**PEDESTAL MOUNTING BOLTS**

**(A FIG. 697 STUFFING BOX/BEARING MAY BE REQUIRED)**