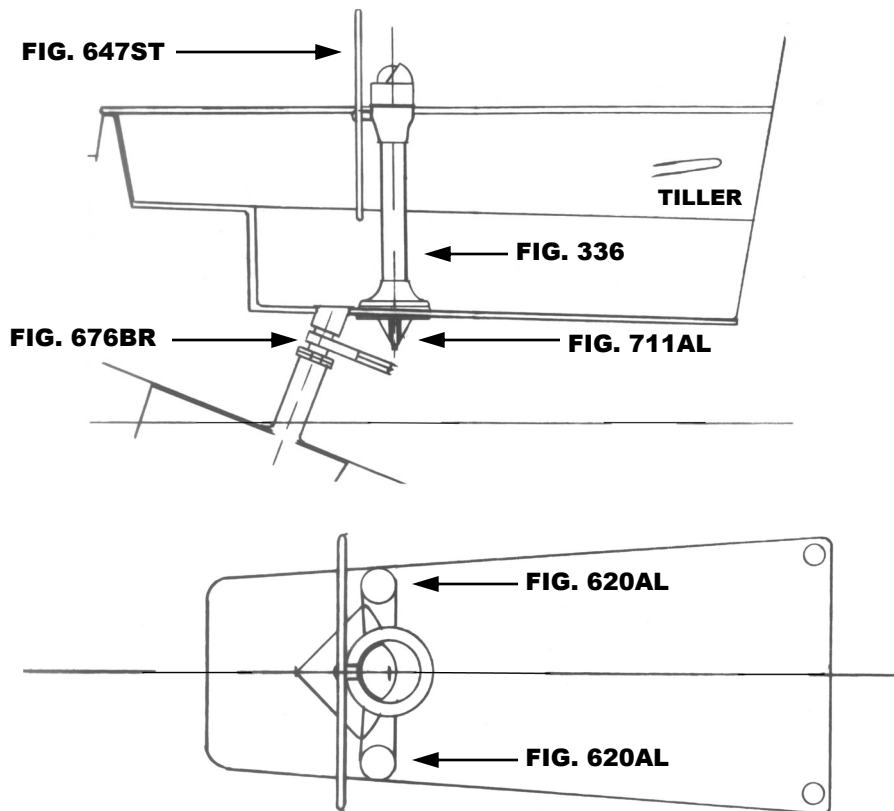


This schematic is intended to provide an outline for designing your system. Complete instructions for installation can be found in our "PLANNING & INSTALLATION GUIDE", which can be found on our website.

VISIT US ONLINE AT  
[WWW.EDSONMARINE.COM](http://WWW.EDSONMARINE.COM)



**STEERING COMPONENTS:**

- 1 FIG. 336-5-211T
- 1 FIG. 647ST-32-5
- 1 FIG. 77111
- 2 FIG. 620BR-6AL
- 1 FIG. 711AL-6AL
- 1 FIG. 676BR-10
- 4 FIG. 646-4HEX

- CLASSIC PEDESTAL STEERER/TAPERED
- DISHED DESTROYER WHEEL
- CHAIN & WIRE ROPE KIT W/HARDWARE *[was 774-2S2B9]*
- (2FT #50 CHAIN, 9FT 3/16" 7X19 305 SS WIRE ROPE)*
- UPRIGHT SINGLE SHEAVE ASSY.
- ADJUSTABLE IDLER
- MANGANESE BRONZE QUADRANT
- PEDESTAL MOUNTING BOLT

(A FIG. 697 STUFFING BOX/BEARING MAY BE REQUIRED)