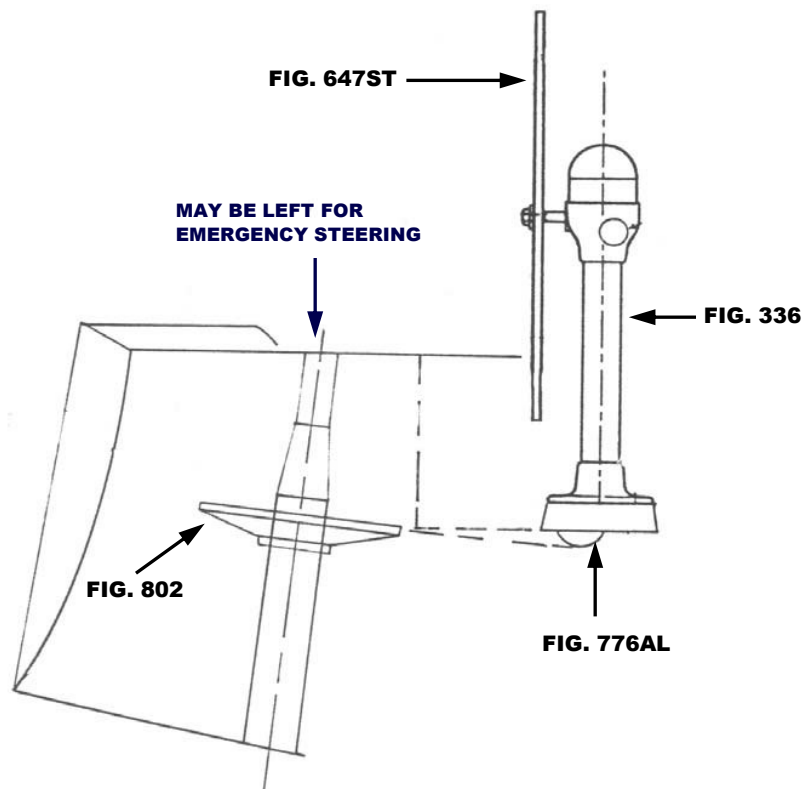


**THIS SCHEMATIC IS INTENDED TO PROVIDE AN OUTLINE FOR DESIGNING YOUR SYSTEM. COMPLETE INSTRUCTIONS FOR INSTALLATION CAN BE FOUND IN OUR "PLANNING & INSTALLATION GUIDE", WHICH CAN BE FOUND ON OUR WEBSITE.**

**VISIT US ONLINE AT  
WWW.EDSONMARINE.COM**



**STEERING COMPONENTS:**

- |                            |  |
|----------------------------|--|
| <b>1 FIG. 336-5-211T</b>   | <b>CLASSIC PEDESTAL STEERER/TAPERED</b>                      |
| <b>1 FIG. 336-SPEC-HGT</b> | <b>PEDESTAL SPECIAL HEIGHT = 25.5"</b>                       |
| <b>1 FIG. 813-25</b>       | <b>PEDESTAL RISER</b>  |
| <b>1 FIG. 647ST-40-5</b>   | <b>DISHED DESTROYER WHEEL</b>                                |
| <b>1 FIG. 77101</b>        | <b>CHAIN &amp; WIRE ROPE KIT W/HARDWARE [was 774-2S15B7]</b> |
|                            | <b>(1.5FT #50 CHAIN, 7FT 3/16" 7X19 305 SS WIRE ROPE)</b>    |
| <b>1 FIG. 776AL-4AL</b>    | <b>ADJUSTABLE CROSSED WIRE IDLER</b>                         |
| <b>1 FIG. 802-8</b>        | <b>RADIAL DRIVE WHEEL</b>                                    |
| <b>1 FIG. 946-375</b>      | <b>SPECIAL BORE CHARGE</b>                                   |
| <b>4 FIG. 646-4HEX</b>     | <b>PEDESTAL MOUNTING BOLTS</b>                               |