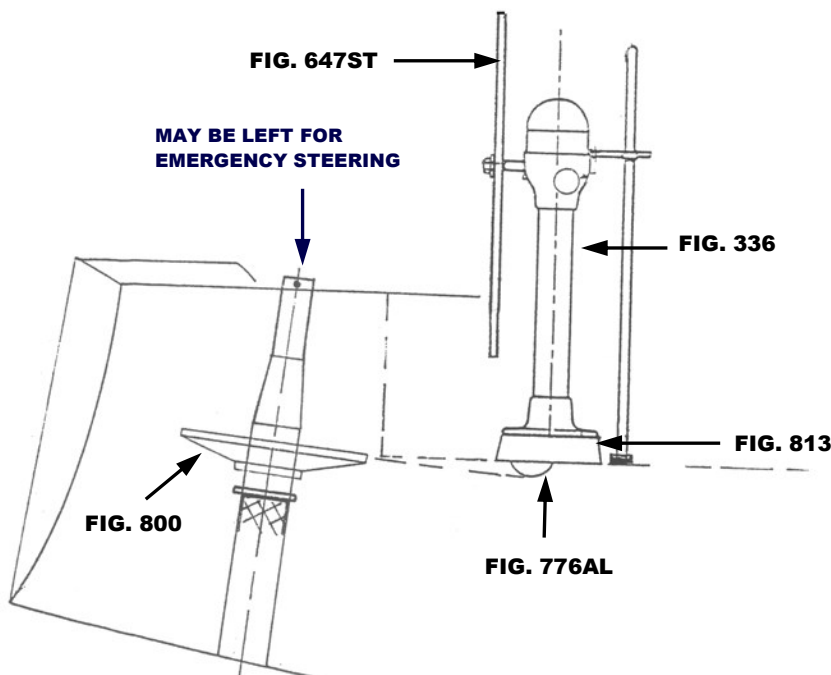


THIS SCHEMATIC IS INTENDED TO PROVIDE AN OUTLINE FOR DESIGNING YOUR SYSTEM. COMPLETE INSTRUCTIONS FOR INSTALLATION CAN BE FOUND IN OUR "PLANNING & INSTALLATION GUIDE", WHICH CAN BE FOUND ON OUR WEBSITE.

**VISIT US ONLINE AT
WWW.EDSONMARINE.COM**



NOTE: Edson manufactures Custom Radial Drive Wheels for J-Boats. They use micro press fittings at the radial drive end of wire, and turnbuckles for steering cable tension adjustment.

STEERING COMPONENTS:

- | | |
|----------------------------|---|
| 1 FIG. 336-5-211T | CLASSIC PEDESTAL STEERER/TAPERED |
| 1 FIG. 336-SPEC-HGT | PEDESTAL SPECIAL HEIGHT (SPECIFY SIZE) |
| 1 FIG. 813-25 | PEDESTAL RISER |
| 1 FIG. 647ST-40-5 | DISHED DESTROYER WHEEL |
| 1 FIG. 77101 | CHAIN & WIRE ROPE KIT W/HARDWARE [was 774-2S15B7]
<i>(1.5FT #50 CHAIN, 7FT 3/16" 7X19 305 SS WIRE ROPE)</i> |
| 1 FIG. 776AL-4AL | ADJUSTABLE CROSSED WIRE IDLER |
| 1 FIG. 800-8 | RADIAL DRIVE WHEEL |
| 2 - - | CUSTOMER SUPPLIED TURNBUCKLES |
| 4 FIG. 646-4HEX | PEDESTAL MOUNTING BOLTS |
- (A FIG. 697 STUFFING BOX/BEARING MAY BE REQUIRED)**