

Steering Data Sheet

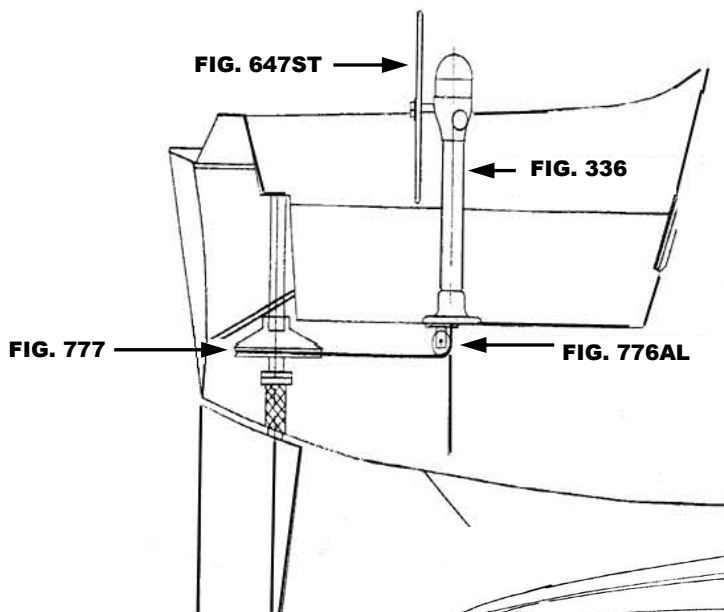


LANCER 25 MK V & 28 MK V

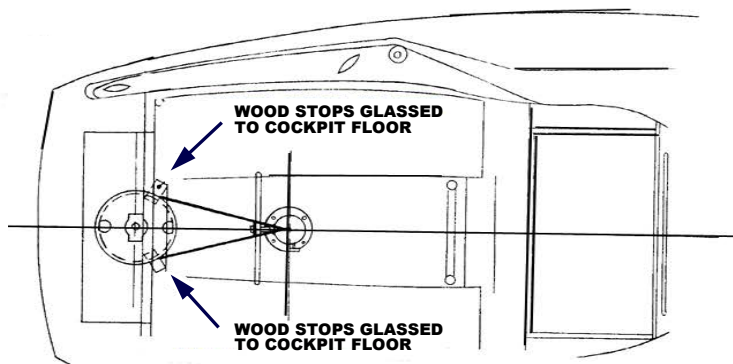
S-736-2

THIS SCHEMATIC IS INTENDED TO PROVIDE AN OUTLINE FOR DESIGNING YOUR SYSTEM. COMPLETE INSTRUCTIONS FOR INSTALLATION CAN BE FOUND IN OUR "PLANNING & INSTALLATION GUIDE", WHICH CAN BE FOUND ON OUR WEBSITE.

VISIT US ONLINE AT
WWW.EDSONMARINE.COM



NOTE: INBOARD & OUTBOARD SYSTEMS MAY BE DIFFERENT. IT IS IMPORTANT TO CAREFULLY DETERMINE WHICH SYSTEM IS BEST SUITED FOR YOUR VESSEL.



STEERING COMPONENTS:

1 FIG. 336-5-211T
1 FIG. 647ST-24-5
1 FIG. 77103

1 FIG. 776AL-4AL
1 FIG. 777-8
4 FIG. 646-4HEX
1 FIG. 697-1.660

CLASSIC PEDESTAL STEERER/TAPERED
DISHED DESTROYER WHEEL
CHAIN & WIRE ROPE KIT W/HARDWARE *[was 774-2S15B9]*
(1.5FT #50 CHAIN, 9FT 3/16" 7X19 305 SS WIRE ROPE)
ADJUSTABLE CROSSED WIRE IDLER
RADIAL DRIVE WHEEL
PEDESTAL MOUNTING BOLTS
STUFFING BOX/BEARING (VERIFY SIZE)



146 DUCHAINE BLVD, NEW BEDFORD, MA 02745-1292 Tel: 508-995-9711 Fax: 508-995-5021 FREE FAX: 800-338-5021

LANCER 25 MK V & 28 MK V (S-736-2)