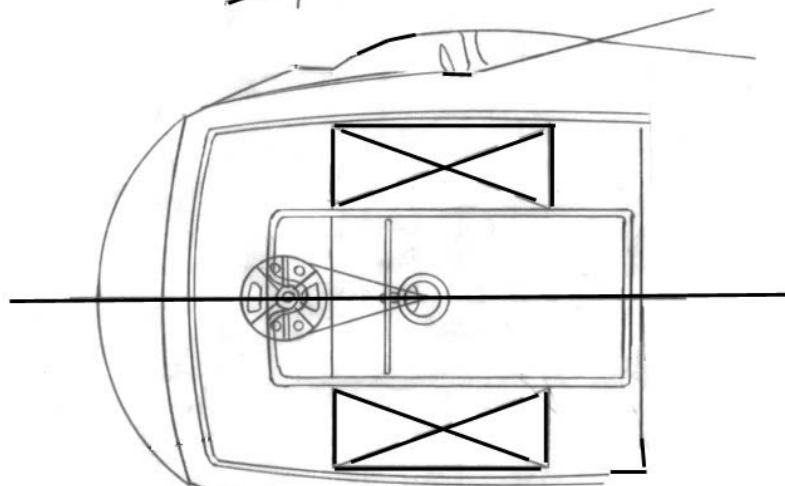
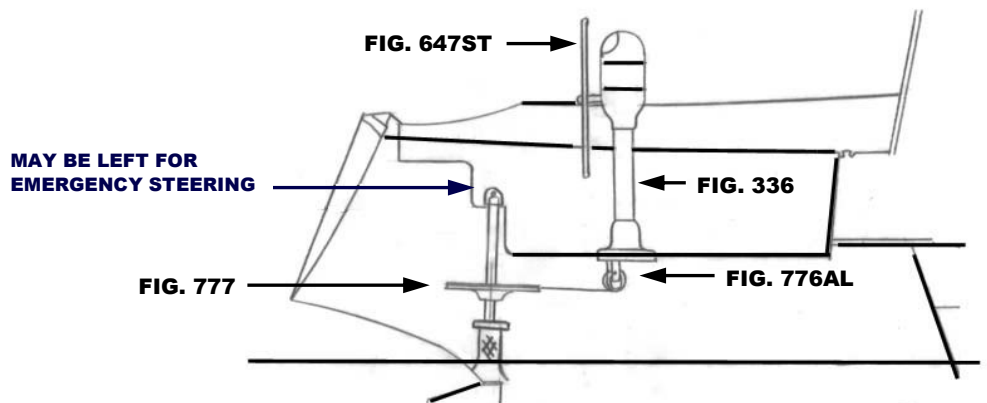




# LANCER 30

**THIS SCHEMATIC IS INTENDED TO PROVIDE AN OUTLINE FOR DESIGNING YOUR SYSTEM. COMPLETE INSTRUCTIONS FOR INSTALLATION CAN BE FOUND IN OUR "PLANNING & INSTALLATION GUIDE", WHICH CAN BE FOUND ON OUR WEBSITE.**

**VISIT US ONLINE AT  
WWW.EDSONMARINE.COM**



**NOTE:**  
**WIRES MUST BE CROSSED WITHIN PEDESTAL FOR PROPER STEERING DIRECTION**

**STEERING COMPONENTS:**

- |  |   |
|--|---|
| 1 FIG. 336-5-211T  | <b>CLASSIC PEDESTAL STEERER/TAPERED</b>   |
| 1 FIG. 647ST-26-5  | <b>DISHED DESTROYER WHEEL</b>   |
| 1 FIG. 77103   | <b>CHAIN &amp; WIRE ROPE KIT W/HARDWARE [was 774-2S15B9]</b><br><i>(1.5FT #50 CHAIN, 9FT 3/16" 7X19 305 SS WIRE ROPE)</i> |
| 1 FIG. 776AL-4AL   | <b>ADJUSTABLE CROSSED WIRE IDLER</b>  |
| 1 FIG. 777-8   | <b>RADIAL DRIVE WHEEL</b>   |
| 4 FIG. 646-4HEX  | <b>PEDESTAL MOUNTING BOLTS</b>  |
| <b>(A FIG. 697 STUFFING BOX/BEARING MAY BE REQUIRED)</b> |   |

LANCER 30 (S-808)

