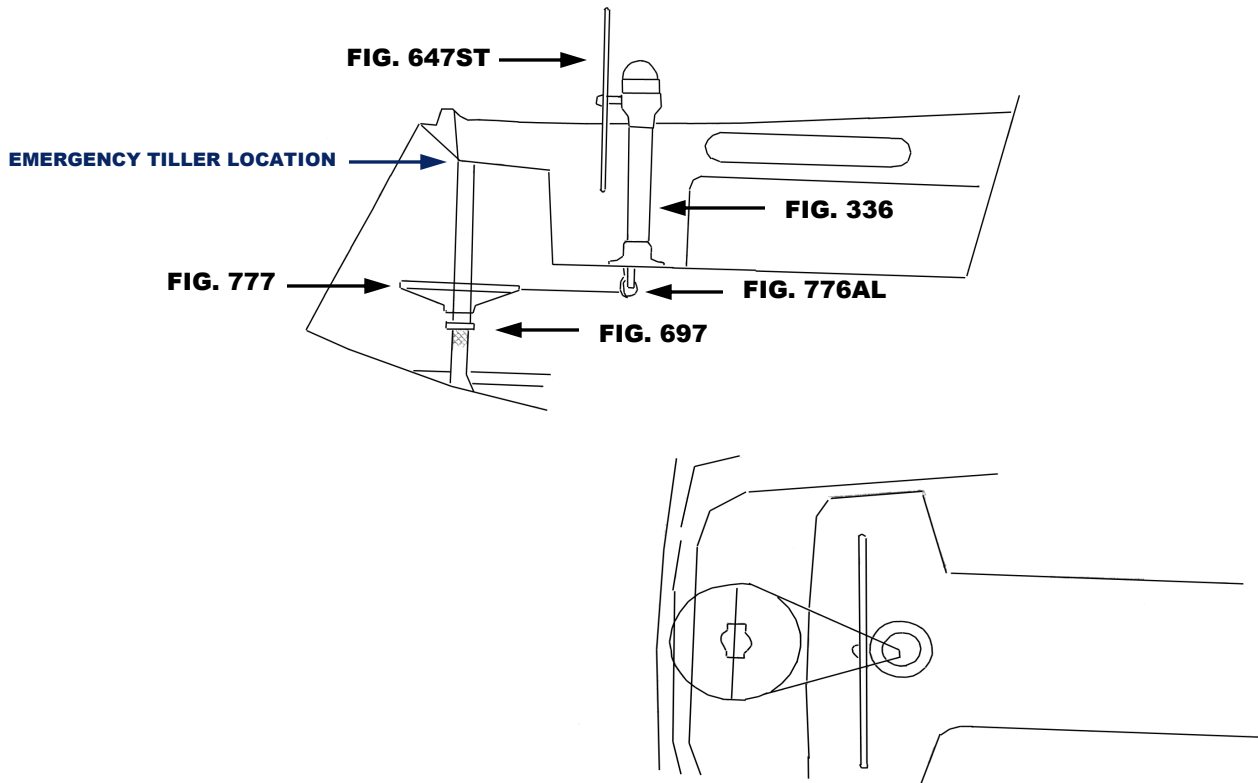


This schematic is intended to provide an outline for designing your system. Complete instructions for installation can be found in our "PLANNING & INSTALLATION GUIDE", which can be found on our website.

VISIT US ONLINE AT  
[WWW.EDSONMARINE.COM](http://WWW.EDSONMARINE.COM)



LANCER 36 (S-1169)

**STEERING COMPONENTS:**

- |                   |  |
|-------------------|--|
| 1 FIG. 336-5-211T | <b>CLASSIC PEDESTAL STEERER/TAPERED</b>                            |
| 1 FIG. 647ST-40-5 | <b>DISHED DESTROYER WHEEL</b>                                      |
| 1 FIG. 77111      | <b>CHAIN &amp; WIRE ROPE KIT W/HARDWARE</b> <i>[was 774-2S2B9]</i> |
|                   | <i>(2FT #50 CHAIN, 9FT 3/16" 7X19 305 SS WIRE ROPE)</i>            |
| 1 FIG. 776AL-4AL  | <b>ADJUSTABLE CROSSED WIRE IDLER</b>                               |
| 1 FIG. 777-10     | <b>RADIAL DRIVE WHEEL</b>  |
| 4 FIG. 646-4HEX   | <b>PEDESTAL MOUNTING BOLTS</b>                                     |

(A FIG. 697 STUFFING BOX/BEARING MAY BE REQUIRED)