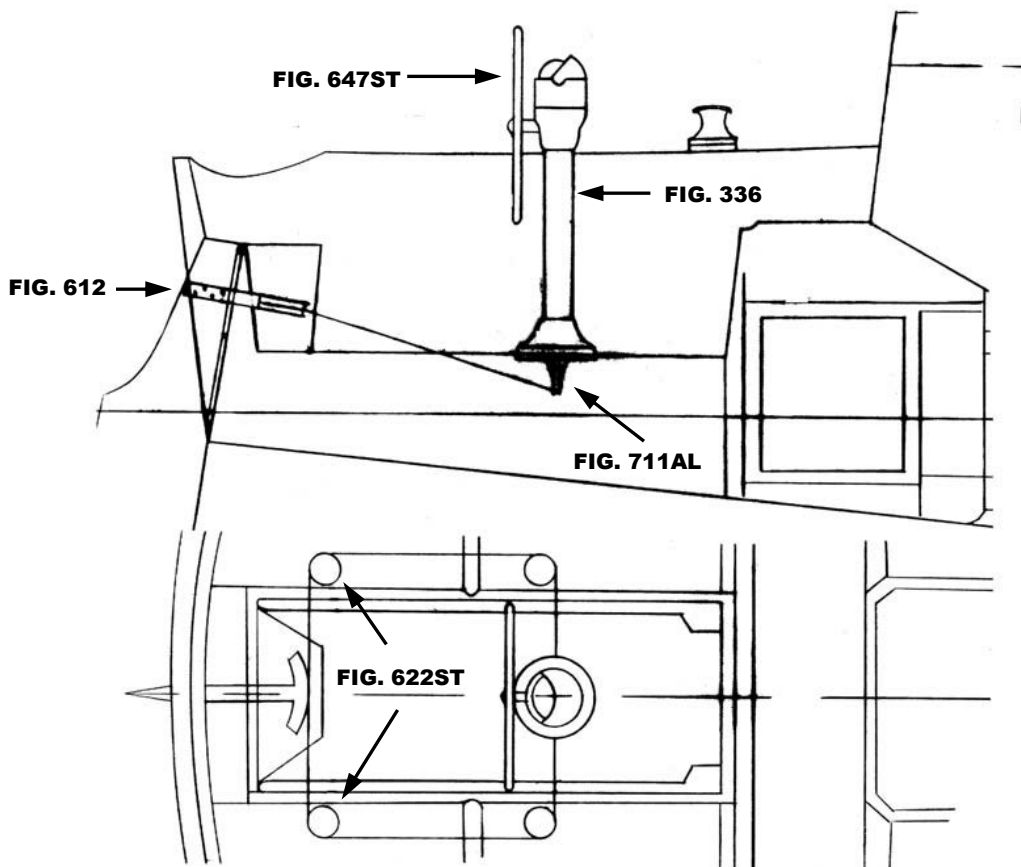


THIS SCHEMATIC IS INTENDED TO PROVIDE AN OUTLINE FOR DESIGNING YOUR SYSTEM. COMPLETE INSTRUCTIONS FOR INSTALLATION CAN BE FOUND IN OUR "PLANNING & INSTALLATION GUIDE", WHICH CAN BE FOUND ON OUR WEBSITE.

VISIT US ONLINE AT
WWW.EDSONMARINE.COM



STEERING COMPONENTS:

- | | |
|-------------------|--|
| 1 FIG. 336-5-211T | CLASSIC PEDESTAL STEERER/TAPERED |
| 1 FIG. 647ST-24-5 | DISHED DESTROYER WHEEL |
| 1 FIG. 77113 | CHAIN & WIRE ROPE KIT W/HARDWARE [was 774-2S2B13] |
| | <i>(2FT #50 CHAIN, 13FT 3/16" 7X19 305 SS WIRE ROPE)</i> |
| 1 FIG. 711AL-4AL | ADJUSTABLE IDLER |
| 2 FIG. 622ST-4AL | ARTICULOCK SINGLE SHEAVE ASSEMBLY |
| 1 FIG. 612-10-? | OUTBOARD RUDDER QUADRANT (SPECIFY SIZE) |
| 4 FIG. 646-4HEX | PEDESTAL MOUNTING BOLTS |

MIRAGE 24 (S-468)