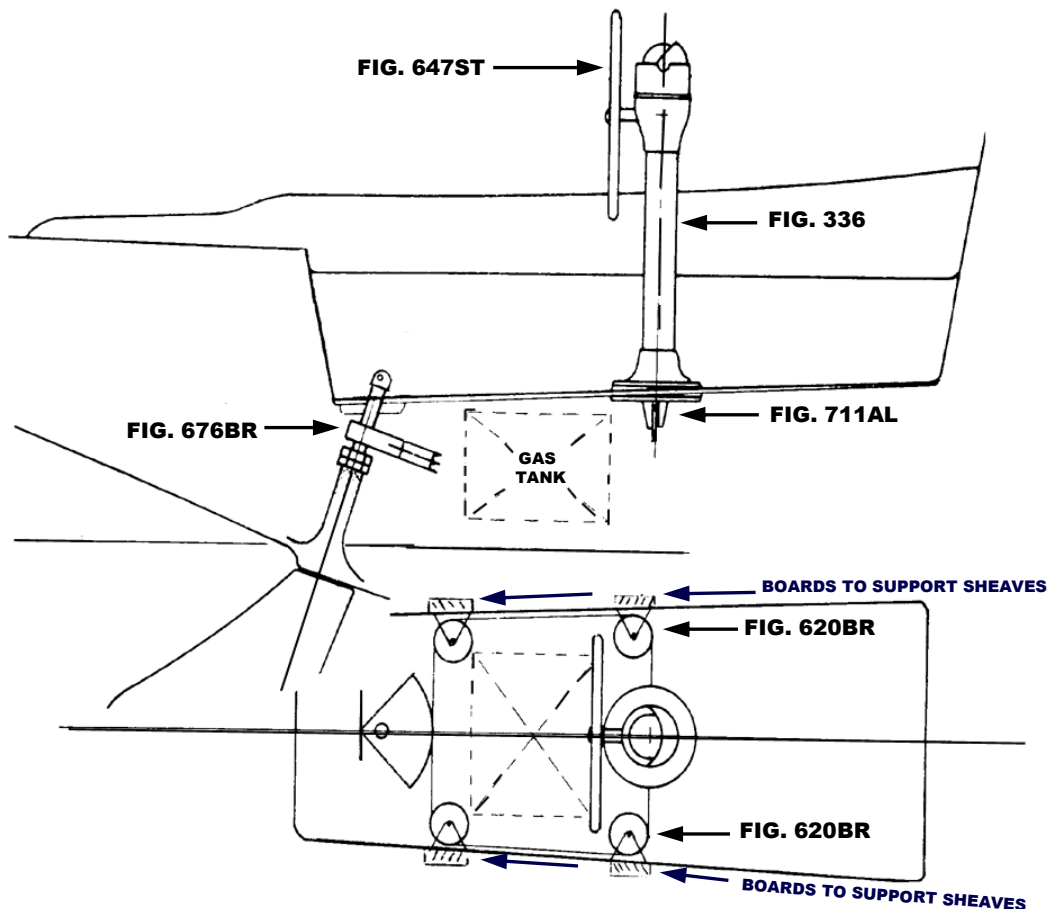




MORGAN 30 & 300

THIS SCHEMATIC IS INTENDED TO PROVIDE AN OUTLINE FOR DESIGNING YOUR SYSTEM. COMPLETE INSTRUCTIONS FOR INSTALLATION CAN BE FOUND IN OUR "PLANNING &

VISIT US ONLINE AT
WWW.EDSONMARINE.COM



STEERING COMPONENTS:

- 1 FIG. 336-5-211T
- 1 FIG. 647ST-22-5
- 1 FIG. 77103

**CLASSIC PEDESTAL STEERER/TAPERED
 DISHED DESTROYER WHEEL
 CHAIN & WIRE ROPE KIT W/HARDWARE *{was 774-2S15B9}*
*(1.5FT #50 CHAIN, 9FT 3/16" 7X19 305 SS WIRE ROPE)***

- 1 FIG. 711AL-4AL
- 4 FIG. 620BR-4AL
- 1 FIG. 676BR-8
- 4 FIG. 646-4HEX

**ADJUSTABLE IDLER
 UPRIGHT SINGLE SHEAVE ASSEMBLY
 MANGANESE BRONZE QUADRANT
 PEDESTAL MOUNTING BOLTS**

(A FIG. 697 STUFFING BOX/BEARING MAY BE REQUIRED)

