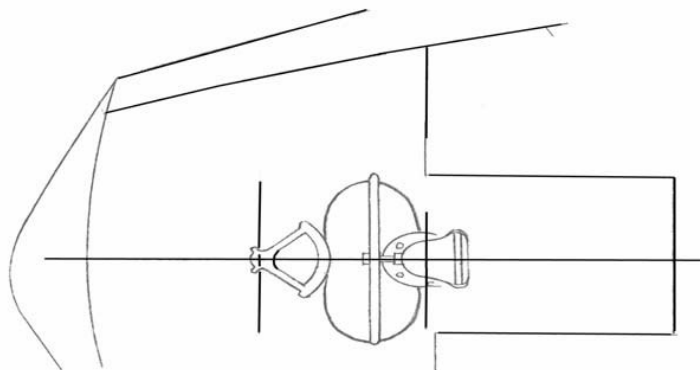
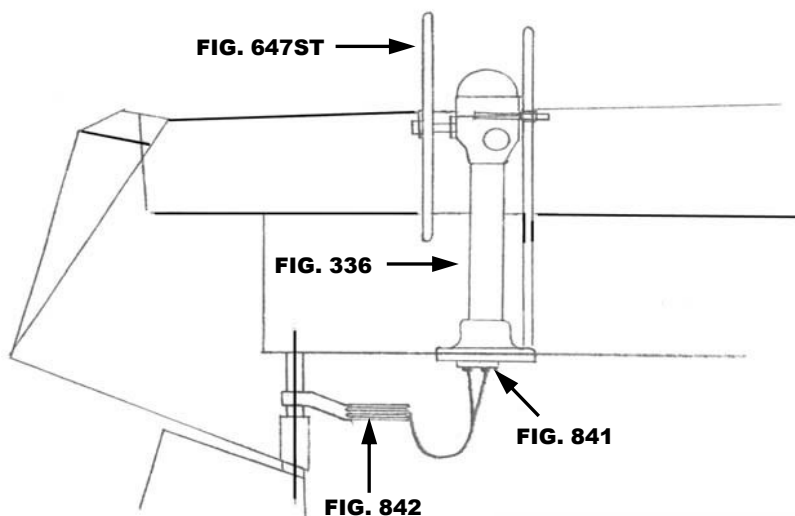


**THIS SCHEMATIC IS INTENDED TO PROVIDE AN OUTLINE FOR DESIGNING YOUR SYSTEM. COMPLETE INSTRUCTIONS FOR INSTALLATION CAN BE FOUND IN OUR "PLANNING & INSTALLATION GUIDE", WHICH CAN BE FOUND ON OUR WEBSITE.**

**VISIT US ONLINE AT  
WWW.EDSONMARINE.COM**



**STEERING COMPONENTS:**

**1 FIG. 336-5-211T**

**1 FIG. 647ST-28-5**

**1 FIG. 77103**

**1 FIG. 841-2**

**1 FIG. 797-4**

**1 FIG. 824-12**

**1 FIG. 842-10**

**4 FIG. 646-4HEX**

**CLASSIC PEDESTAL STEERER/TAPERED**

**DISHED DESTROYER WHEEL**

**CHAIN & WIRE ROPE KIT W/HARDWARE [was 774-2S15B9]  
(1.5FT #50 CHAIN, 9FT 3/16" 7X19 305 SS WIRE ROPE)**

**DROP CONDUIT BRACKET**

**PULL/PULL CONDUIT W/END FITTINGS**

**PULL/PULL BRACKET**

**SPACE SAVER OFFSET QUADRANT**

**PEDESTAL MOUNTING BOLTS**