

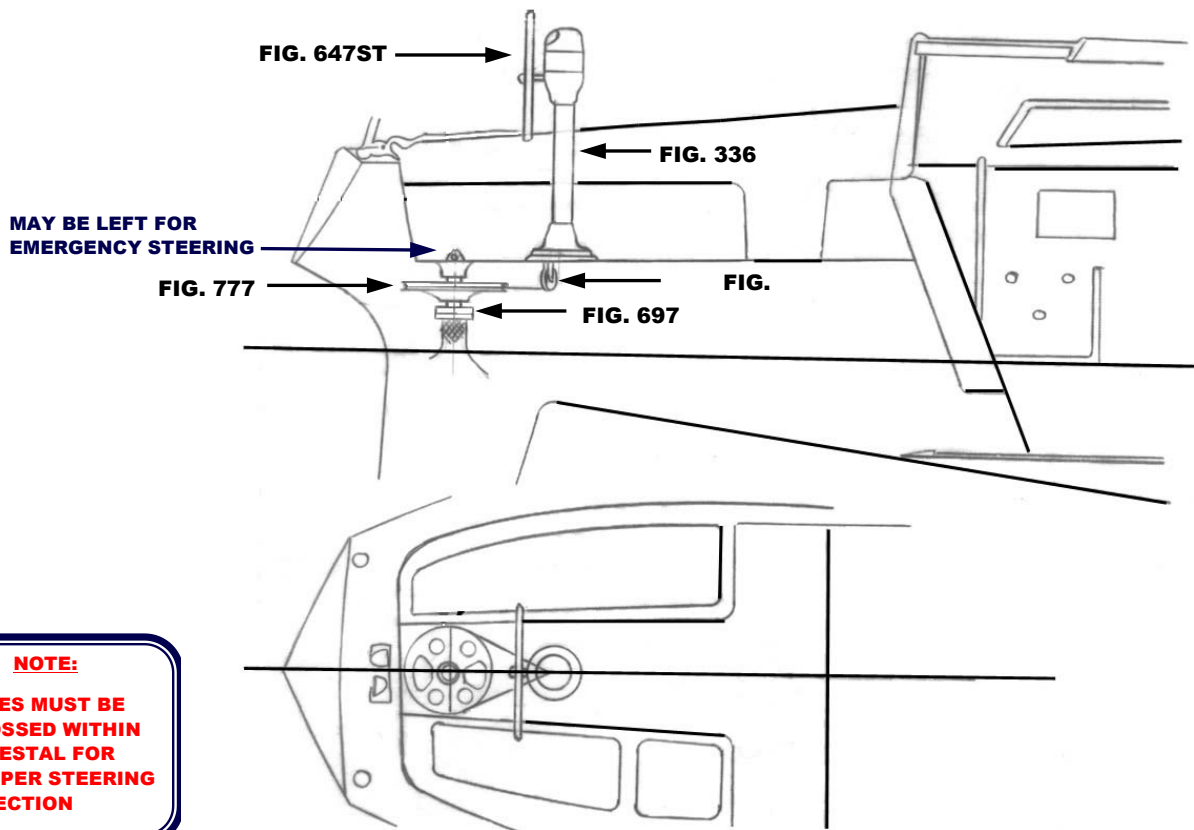
# Steering Data Sheet



## MORGAN 36 (1 TON)

THIS SCHEMATIC IS INTENDED TO PROVIDE AN OUTLINE FOR DESIGNING YOUR SYSTEM. COMPLETE INSTRUCTIONS FOR INSTALLATION CAN BE FOUND IN OUR "PLANNING & INSTALLATION GUIDE", WHICH CAN BE FOUND ON OUR WEBSITE.

VISIT US ONLINE AT  
[WWW.EDSONMARINE.COM](http://WWW.EDSONMARINE.COM)



### STEERING COMPONENTS:

- |   |  |
|---|--|
| 1 FIG. 336-5-211T                                 | CLASSIC PEDESTAL STEERER/TAPERED   |
| 1 FIG. 647ST-28-5                                 | DISHED DESTROYER WHEEL   |
| 1 FIG. 77111                                      | CHAIN & WIRE ROPE KIT W/HARDWARE [was 774-2S2B9]<br>(2FT #50 CHAIN, 9FT 3/16" 7X19 305 SS WIRE ROPE) |
| 1 FIG. 776AL-4AL                                  | ADJUSTABLE CROSSED WIRE IDLER  |
| 1 FIG. 777-10                                     | RADIAL DRIVE WHEEL   |
| 4 FIG. 646-4HEX                                   | PEDESTAL MOUNTING BOLTS  |
| (A FIG. 697 STUFFING BOX/BEARING MAY BE REQUIRED) |  |

