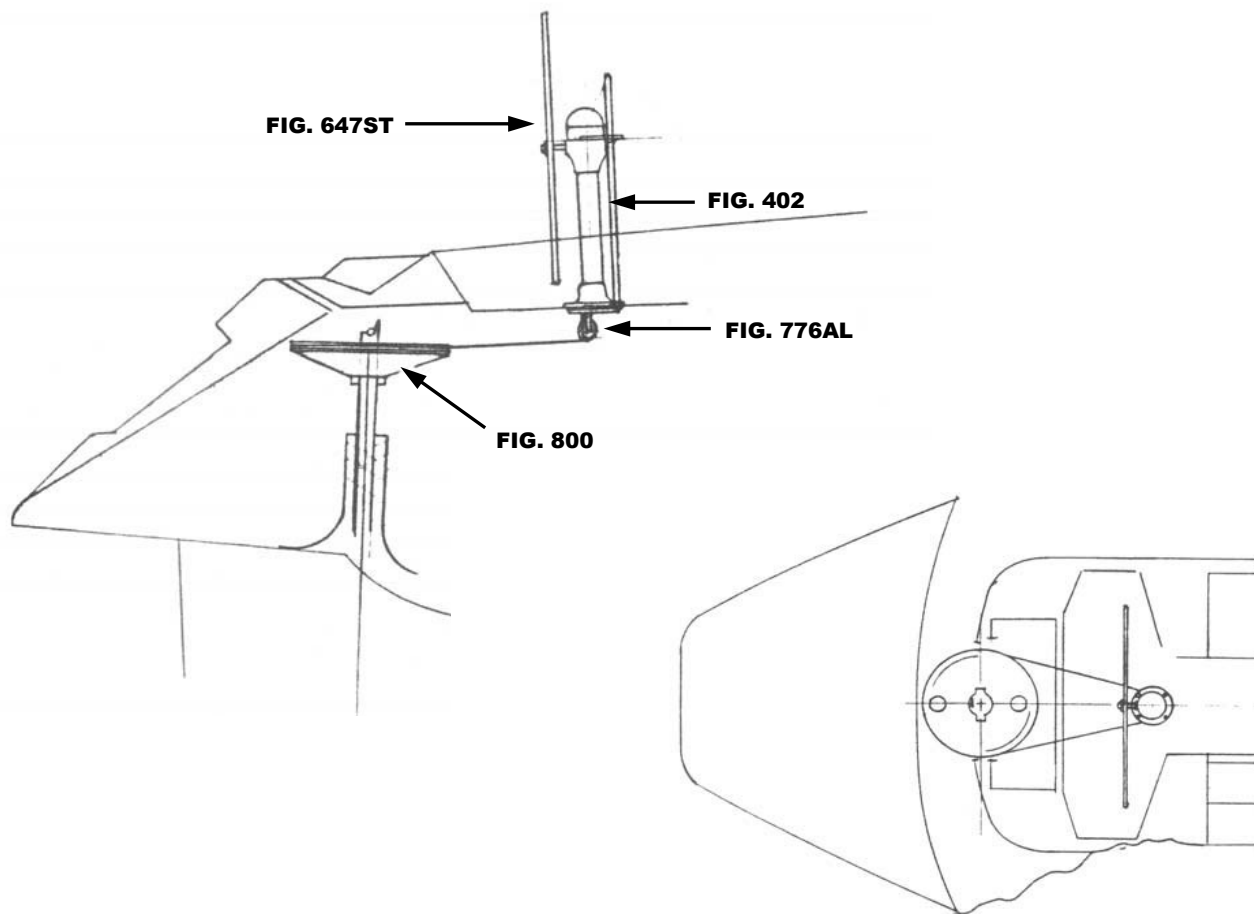




MORGAN 46

THIS SCHEMATIC IS INTENDED TO PROVIDE AN OUTLINE FOR DESIGNING YOUR SYSTEM. COMPLETE INSTRUCTIONS FOR INSTALLATION CAN BE FOUND IN OUR "PLANNING & INSTALLATION GUIDE", WHICH CAN BE FOUND ON OUR WEBSITE.

**VISIT US ONLINE AT
WWW.EDSONMARINE.COM**



STEERING COMPONENTS:

- 1 FIG. 402-6-211T
- 1 FIG. 647ST-48-7
- 1 FIG. 77207
- 1 FIG. 776AL-6AL
- 1 FIG. 800-12
- 4 FIG. 646-4HEX

- DELUXE CLASSIC PEDESTAL W/BRAKE-TAPERED DISHED DESTROYER WHEEL**
- CHAIN & WIRE ROPE KIT W/HARDWARE [was 774-2B25D9] (2.5FT #50 CHAIN, 9FT 1/4" 7X19 305 SS WIRE ROPE)**
- ADJUSTABLE CROSSED WIRE IDLER**
- RADIAL DRIVE WHEEL**
- PEDESTAL MOUNTING BOLTS**

MORGAN 46 (S-1710)

