

Steering Data Sheet

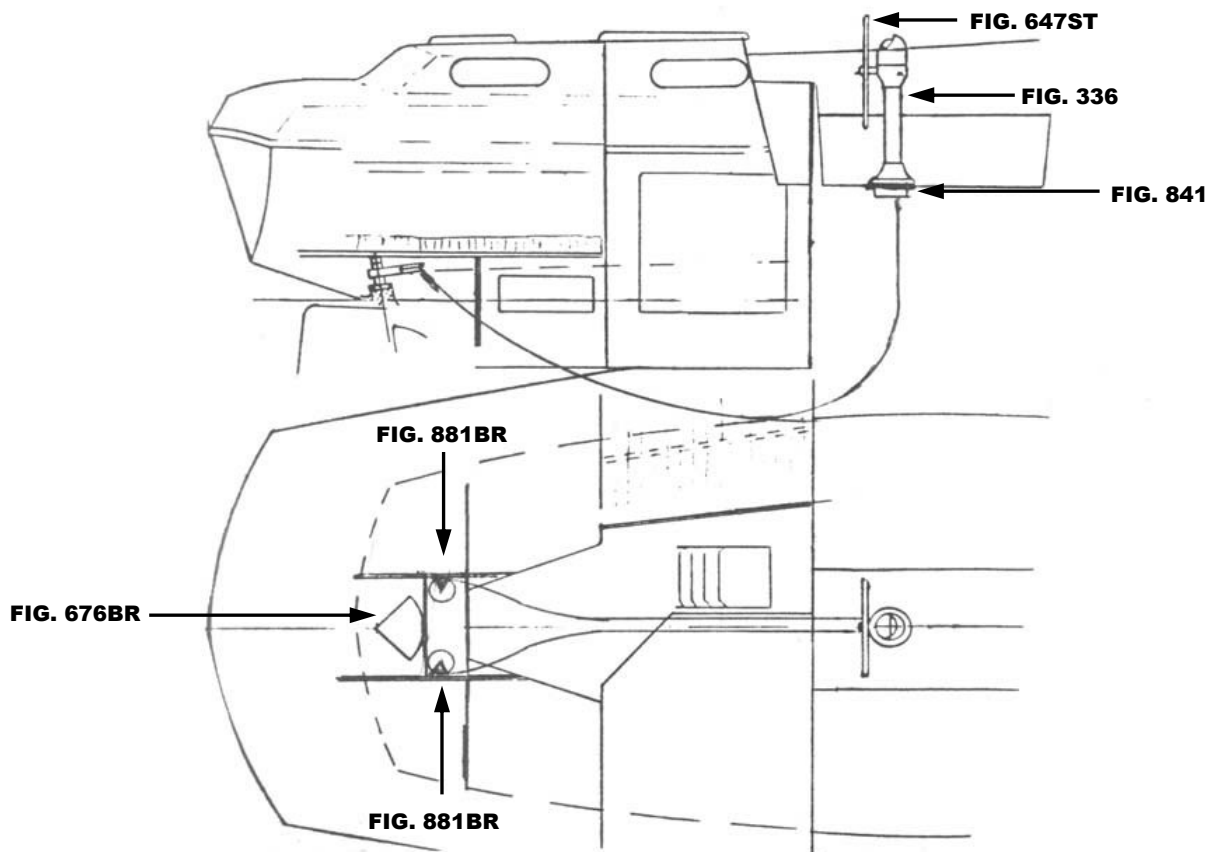


MORGAN CLASSIC 36 & 41

S-2016

THIS SCHEMATIC IS INTENDED TO PROVIDE AN OUTLINE FOR DESIGNING YOUR SYSTEM. COMPLETE INSTRUCTIONS FOR INSTALLATION CAN BE FOUND IN OUR "PLANNING &

VISIT US ONLINE AT
WWW.EDSONMARINE.COM



STEERING COMPONENTS:

1 FIG. 336-5-211T	CLASSIC PEDESTAL STEERER/TAPERED
1 FIG. 647ST-32-5	DISHED DESTROYER WHEEL
1 FIG. 77211	CHAIN & WIRE ROPE KIT W/HARDWARE [was 774-2B25D26] <i>(2.5FT #50 CHAIN, 26FT 1/4" 7X19 305 SS WIRE ROPE)</i>
2 FIG. 797-20	PULL/PULL CONDUIT WITH END FITTINGS
2 FIG. 918-250C	IN LINE CONDUIT GREASER
1 FIG. 841-2	DROP CONDUIT BRACKET
2 FIG. 881BR-6BR	UPRIGHT CONDUIT IDLER
1 FIG. 676BR-18	LARGE BORE BRONZE QUADRANT
4 FIG. 646-4HEX	PEDESTAL MOUNTING BOLTS



146 DUCHAINE BLVD, NEW BEDFORD, MA 02745-1292 Tel: 508-995-9711 Fax: 508-995-5021 FREE FAX: 800-338-5021

MORGAN CLASSIC 36/41 (S-2016)