

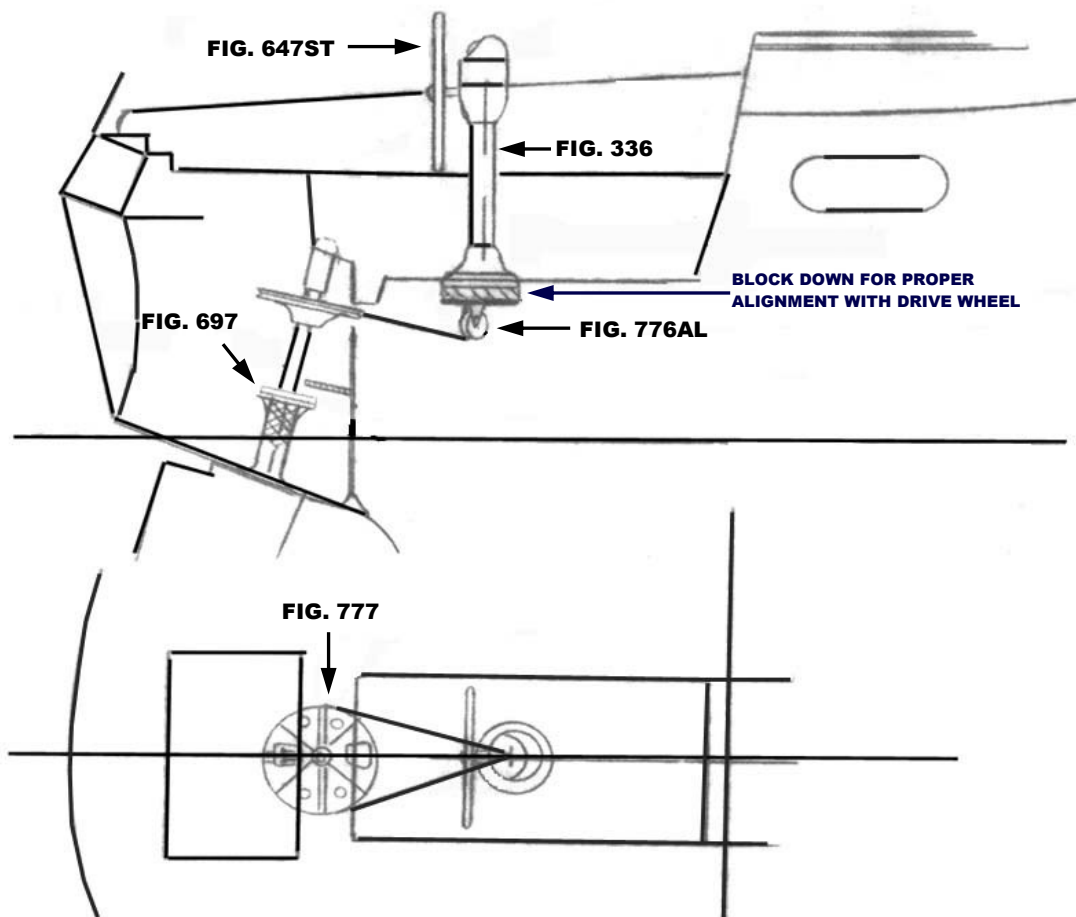


**MORGAN  
OUT ISLAND 28**

S-415-1

**THIS SCHEMATIC IS INTENDED TO PROVIDE AN OUTLINE FOR DESIGNING YOUR SYSTEM. COMPLETE INSTRUCTIONS FOR INSTALLATION CAN BE FOUND IN OUR "PLANNING & INSTALLATION GUIDE", WHICH CAN BE FOUND ON OUR WEBSITE.**

VISIT US ONLINE AT  
[WWW.EDSONMARINE.COM](http://WWW.EDSONMARINE.COM)



MORGAN OUT ISLAND 28 (S-415-1)

**STEERING COMPONENTS:**

- |                                                          |                                                                     |
|----------------------------------------------------------|---------------------------------------------------------------------|
| 1 FIG. 336-5-211T                                        | <b>CLASSIC PEDESTAL STEERER/TAPERED</b>                             |
| 1 FIG. 647ST-22-5                                        | <b>DISHED DESTROYER WHEEL</b>                                       |
| 1 FIG. 77103                                             | <b>CHAIN &amp; WIRE ROPE KIT W/HARDWARE</b> <i>[was 774-2S15B9]</i> |
|                                                          | <i>(1.5FT #50 CHAIN, 9FT 3/16" 7X19 305 SS WIRE ROPE)</i>           |
| 1 FIG. 776AL-4AL                                         | <b>ADJUSTABLE CROSSED WIRE IDLER</b>                                |
| 1 FIG. 777-8                                             | <b>RADIAL DRIVE WHEEL</b>                                           |
| 4 FIG. 646-4HEX                                          | <b>PEDESTAL MOUNTING BOLTS</b>                                      |
| <b>(A FIG. 697 STUFFING BOX/BEARING MAY BE REQUIRED)</b> |                                                                     |

