

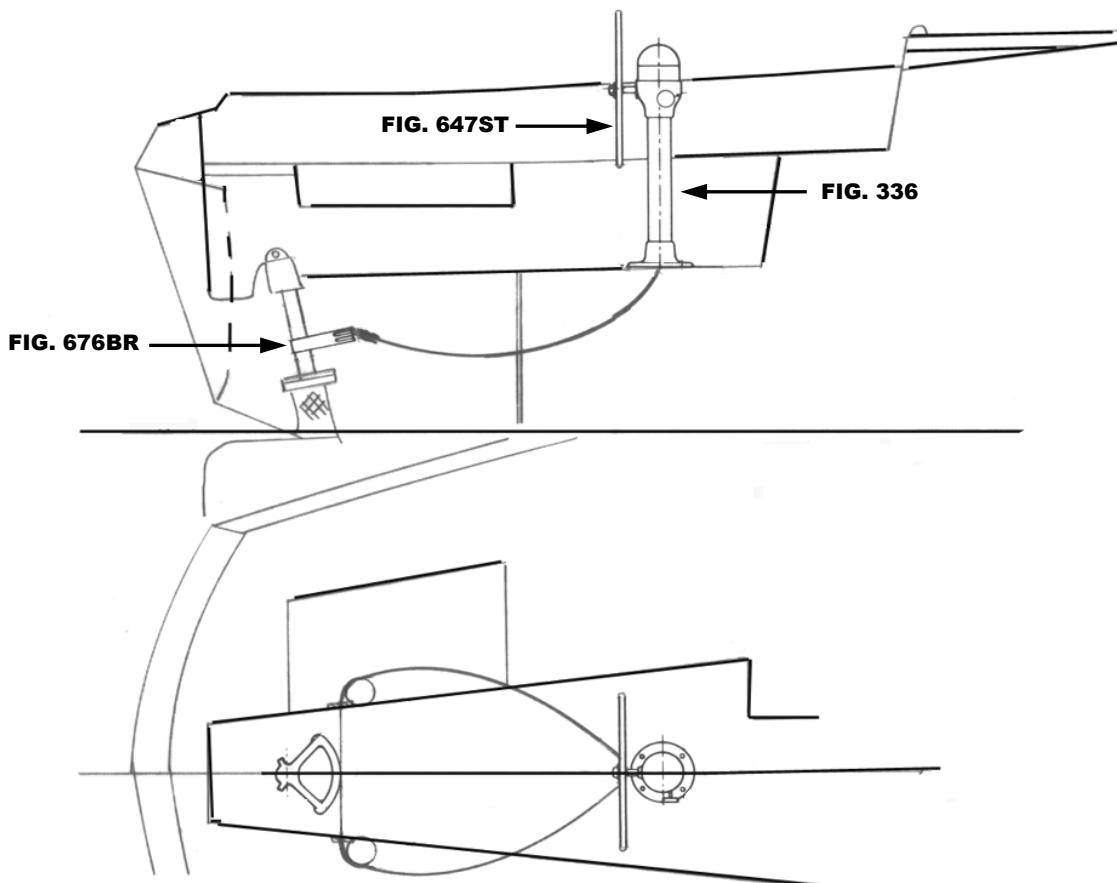


MORGAN OUT ISLAND 33

S-419-4

THIS SCHEMATIC IS INTENDED TO PROVIDE AN OUTLINE FOR DESIGNING YOUR SYSTEM. COMPLETE INSTRUCTIONS FOR INSTALLATION CAN BE FOUND IN OUR "PLANNING & INSTALLATION GUIDE", WHICH CAN BE FOUND ON OUR WEBSITE.

**VISIT US ONLINE AT
WWW.EDSONMARINE.COM**



STEERING COMPONENTS:

- | | |
|--|--|
| 1 FIG. 336-5-211T | CLASSIC PEDESTAL STEERER/TAPERED |
| 1 FIG. 647ST-24-5 | DISHED DESTROYER WHEEL |
| 1 FIG. 77113 | CHAIN & WIRE ROPE KIT W/HARDWARE [was 774-2S2B13] |
| (cut to 11') | (2FT #50 CHAIN, 13 FT 3/16" 7X19 305 SS WIRE ROPE) |
| 1 FIG. 841-2 | DROP CONDUIT BRACKET |
| 2 FIG. 797-7 | PULL/PULL CONDUIT W/END FITTINGS |
| 1 FIG. 676BR-10 | MANGANESE BRONZE QUADRANT |
| 4 FIG. 646-4HEX | PEDESTAL MOUNTING BOLTS |
| (A FIG. 697 STUFFING BOX/BEARING MAY BE REQUIRED) | |

MORGAN OUT ISLAND 33 (S-419-4)

