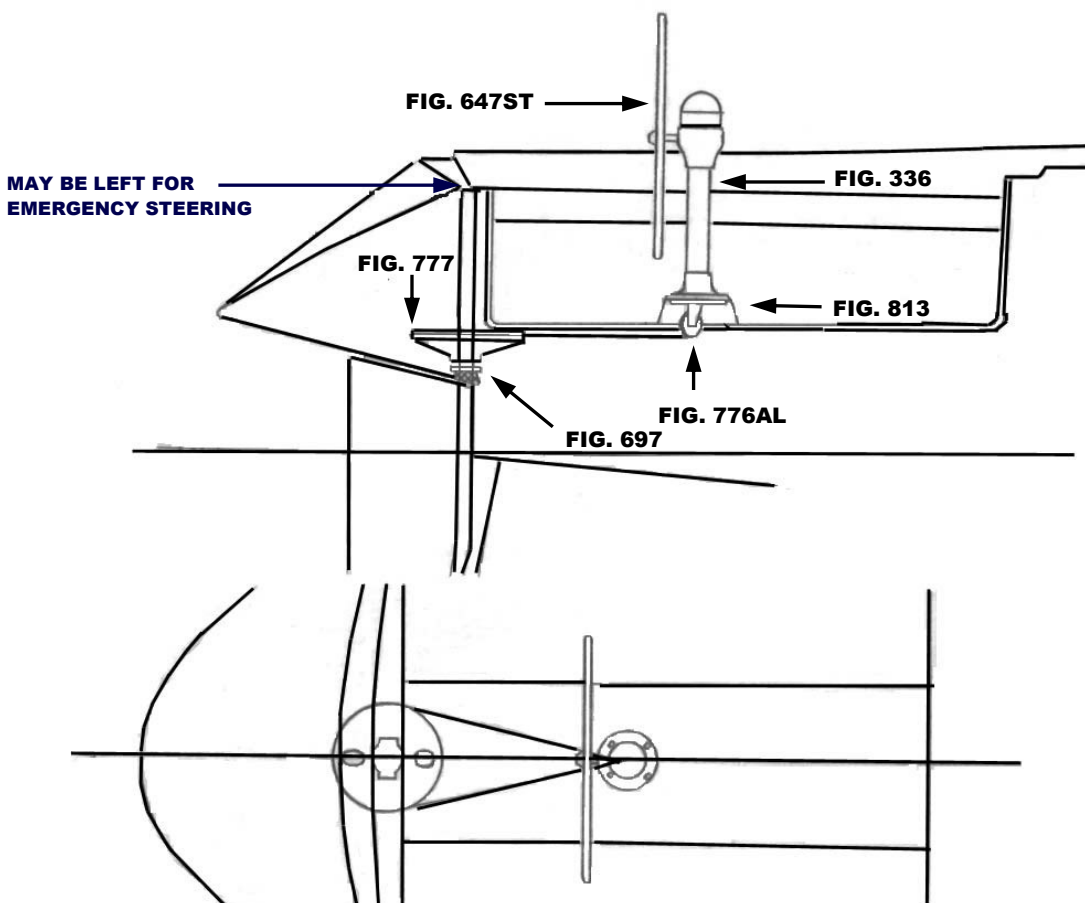


**THIS SCHEMATIC IS INTENDED TO PROVIDE AN OUTLINE FOR DESIGNING YOUR SYSTEM. COMPLETE INSTRUCTIONS FOR INSTALLATION CAN BE FOUND IN OUR "PLANNING & INSTALLATION GUIDE", WHICH CAN BE FOUND ON OUR WEBSITE.**

**VISIT US ONLINE AT  
WWW.EDSONMARINE.COM**



**STEERING COMPONENTS:**

- |                               |   |
|-------------------------------|---|
| <b>1 FIG. 336-5-211T</b>      | <b>CLASSIC PEDESTAL STEERER/TAPERED</b>   |
| <b>1 FIG. 336-SPEC-HEIGHT</b> | <b>SPECIAL PEDESTAL HEIGHT CHARGE</b>   |
| <b>1 FIG. 813-25</b>          | <b>PEDESTAL RISER 2 1/2"</b>  |
| <b>1 FIG. 647ST-365</b>       | <b>DISHED DESTROYER WHEEL</b>   |
| <b>1 FIG. 77103</b>           | <b>CHAIN &amp; WIRE ROPE KIT W/HARDWARE [was 774-2S15B9]</b><br><i>(1.5FT #50 CHAIN, 9FT 3/16" 7X19 305 SS WIRE ROPE)</i> |
| <b>1 FIG. 776AL-4AL</b>       | <b>ADJUSTABLE CROSSED WIRE IDLER</b>  |
| <b>1 FIG. 777-8</b>           | <b>RADIAL DRIVE WHEEL</b>   |
| <b>4 FIG. 646-4HEX</b>        | <b>PEDESTAL MOUNTING BOLTS</b>  |
- (A FIG. 697 STUFFING BOX/BEARING MAY BE REQUIRED)**

NEW YORK 36 (S-1128)