

Steering Data Sheet

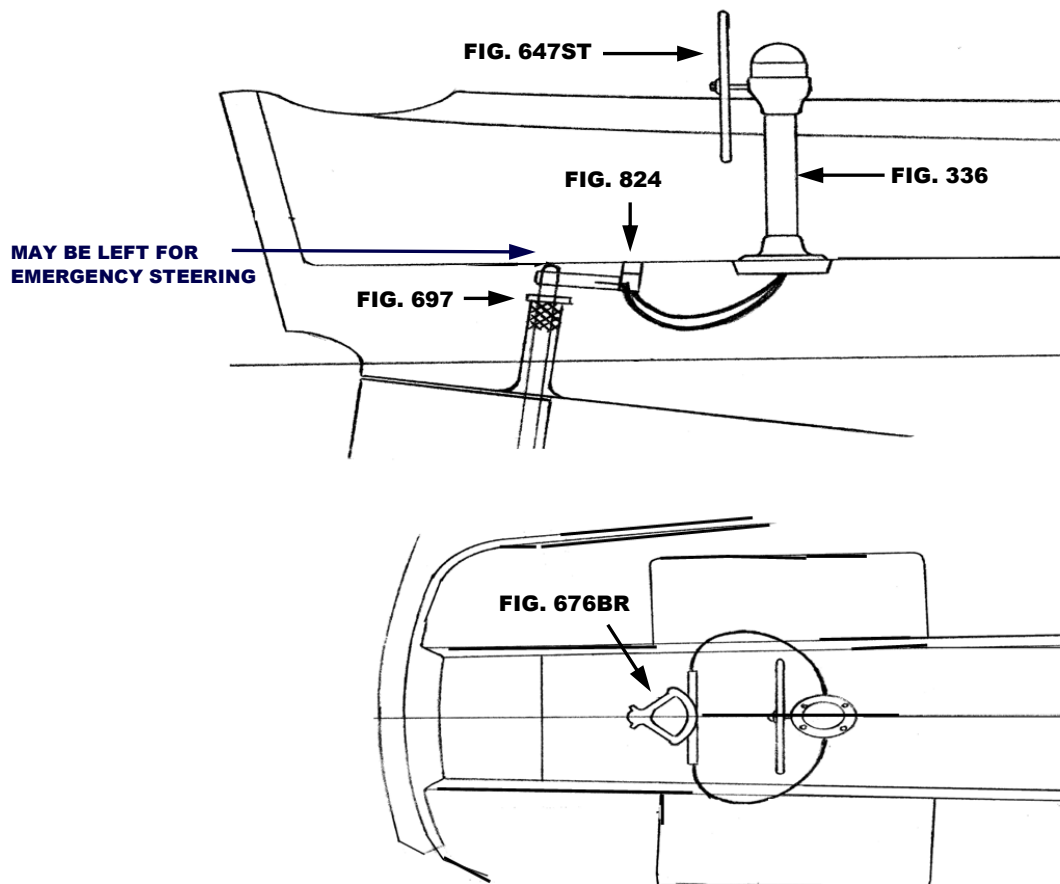


S-725-1

NEWPORT 27 & 28

THIS SCHEMATIC IS INTENDED TO PROVIDE AN OUTLINE FOR DESIGNING YOUR SYSTEM. COMPLETE INSTRUCTIONS FOR INSTALLATION CAN BE FOUND IN OUR "PLANNING & INSTALLATION GUIDE", WHICH CAN BE FOUND ON OUR WEBSITE.

VISIT US ONLINE AT
WWW.EDSONMARINE.COM



STEERING COMPONENTS:

- 1 FIG. 336-5-211T
- 1 FIG. 647ST-24-5
- 1 FIG. 77103

- 1 FIG. 841-2
- 1 FIG. 824-12

- 2 FIG. 797-4

- 1 FIG. 676BR-8

- 4 FIG. 646-4HEX

(A FIG. 697 STUFFING BOX/BEARING MAY BE REQUIRED)

CLASSIC PEDESTAL STEERER/TAPERED

DISHED DESTROYER WHEEL

CHAIN & WIRE ROPE KIT W/HARDWARE [was 774-2S15B9]

(1.5FT #50 CHAIN, 9FT 3/16" 7X19 305 SS WIRE ROPE)

DROP CONDUIT BRACKET

PULL/PULL BRACKET

PULL/PULL CONDUIT W/END FITTINGS

MANGANESE BRONZE QUADRANT

PEDESTAL MOUNTING BOLTS

NEWPORT 27 & 28 (S-725-1)

