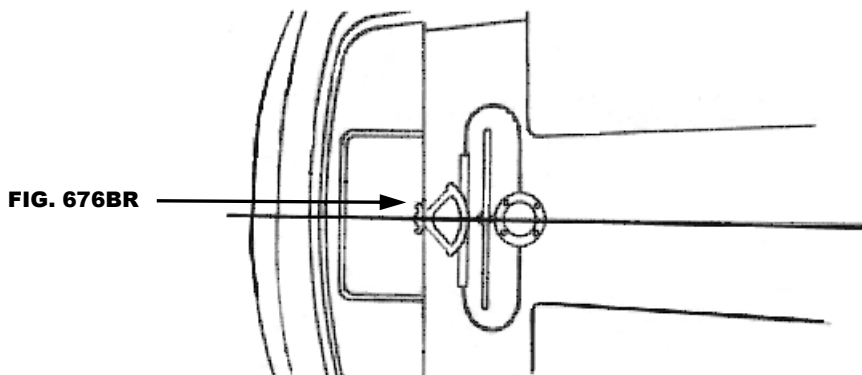
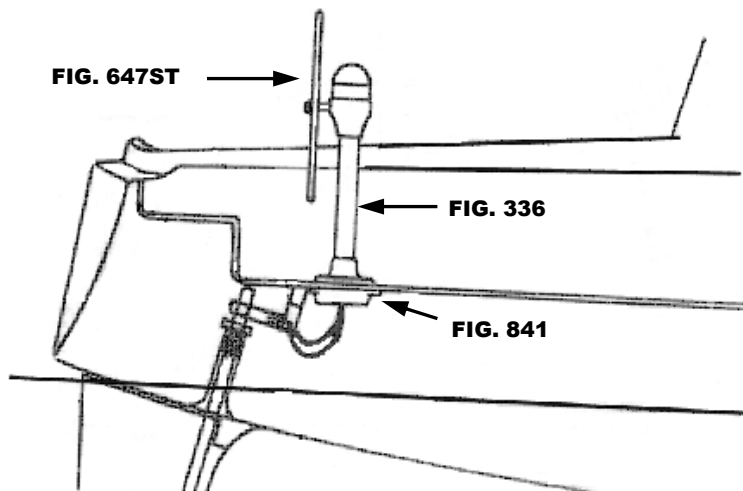




# NEWPORT 30 & 33

**THIS SCHEMATIC IS INTENDED TO PROVIDE AN OUTLINE FOR DESIGNING YOUR SYSTEM. COMPLETE INSTRUCTIONS FOR INSTALLATION CAN BE FOUND IN OUR "PLANNING & INSTALLATION GUIDE", WHICH CAN BE FOUND ON OUR WEBSITE.**

**VISIT US ONLINE AT  
[WWW.EDSONMARINE.COM](http://WWW.EDSONMARINE.COM)**



**STEERING COMPONENTS:**

- |                                                                                                                                                               |                                                                                                                                                                                                                                                                                                                                                                                                   |
|---------------------------------------------------------------------------------------------------------------------------------------------------------------|---------------------------------------------------------------------------------------------------------------------------------------------------------------------------------------------------------------------------------------------------------------------------------------------------------------------------------------------------------------------------------------------------|
| <p>1 FIG. 336-5-215T<br/>1 FIG. 647ST-32-5<br/>1 FIG. 77103</p> <p>1 FIG. 841-2<br/>1 FIG. 824-12<br/>2 FIG. 797-4<br/>1 FIG. 676BR-8<br/>4 FIG. 646-4HEX</p> | <p><b>CLASSIC PEDESTAL STEERER/TAPERED<br/>DISHED DESTROYER WHEEL<br/>CHAIN &amp; WIRE ROPE KIT W/HARDWARE [was 774-2S15B9]<br/>(1.5FT #50 CHAIN, 9FT 3/16" 7X19 305 SS WIRE ROPE)<br/>DROP CONDUIT BRACKET<br/>PULL/PULL BRACKET<br/>PULL/PULL CONDUIT W/END FITTINGS<br/>MANGANESE BRONZE QUADRANT<br/>PEDESTAL MOUNTING BOLTS</b></p> <p>(A FIG. 697 STUFFING BOX/BEARING MAY BE REQUIRED)</p> |
|---------------------------------------------------------------------------------------------------------------------------------------------------------------|---------------------------------------------------------------------------------------------------------------------------------------------------------------------------------------------------------------------------------------------------------------------------------------------------------------------------------------------------------------------------------------------------|

NEWPORT 30 & 33 (S-326-8)

