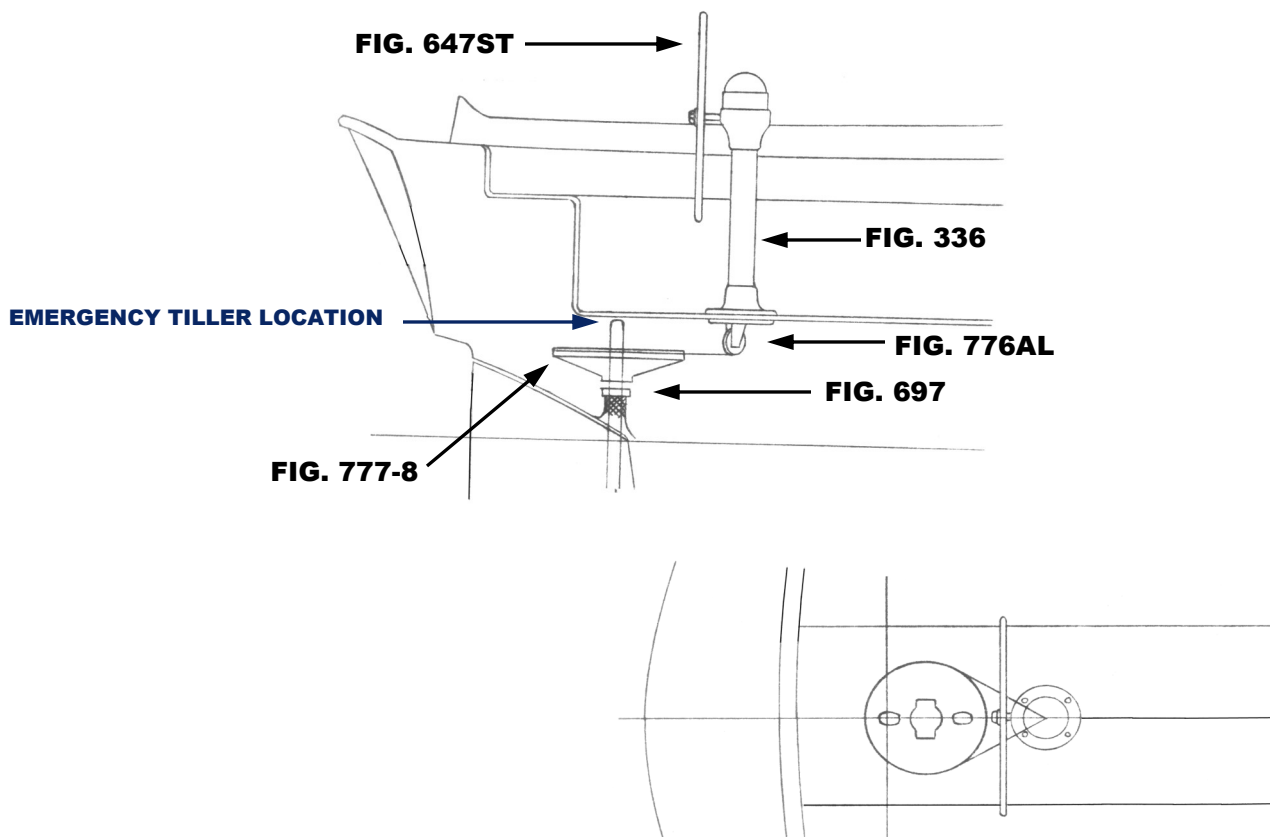


This schematic is intended to provide an outline for designing your system. Complete instructions for installation can be found in our "PLANNING & INSTALLATION GUIDE", which can be found on our website.

VISIT US ONLINE AT
WWW.EDSONMARINE.COM



NIAGARA 31 (S-201)

STEERING COMPONENTS:

- 1 FIG. 336-5-211T
- 1 FIG. 647ST-32-5
- 1 FIG. 77103
- 1 FIG. 776AL-4AL
- 1 FIG. 777-8
- 4 FIG. 646-4HEX

- CLASSIC PEDESTAL STEERER/TAPERED
- DISHED DESTROYER WHEEL
- CHAIN & WIRE ROPE KIT W/HARDWARE *[was 774-2S15B9]*
- (1.5FT #50 CHAIN, 9FT 3/16" 7X19 305 SS WIRE ROPE)*
- ADJUSTABLE CROSSED WIRE IDLER
- RADIAL DRIVE WHEEL
- PEDESTAL MOUNTING BOLTS

(A FIG. 697 STUFFING BOX/BEARING MAY BE REQUIRED)