

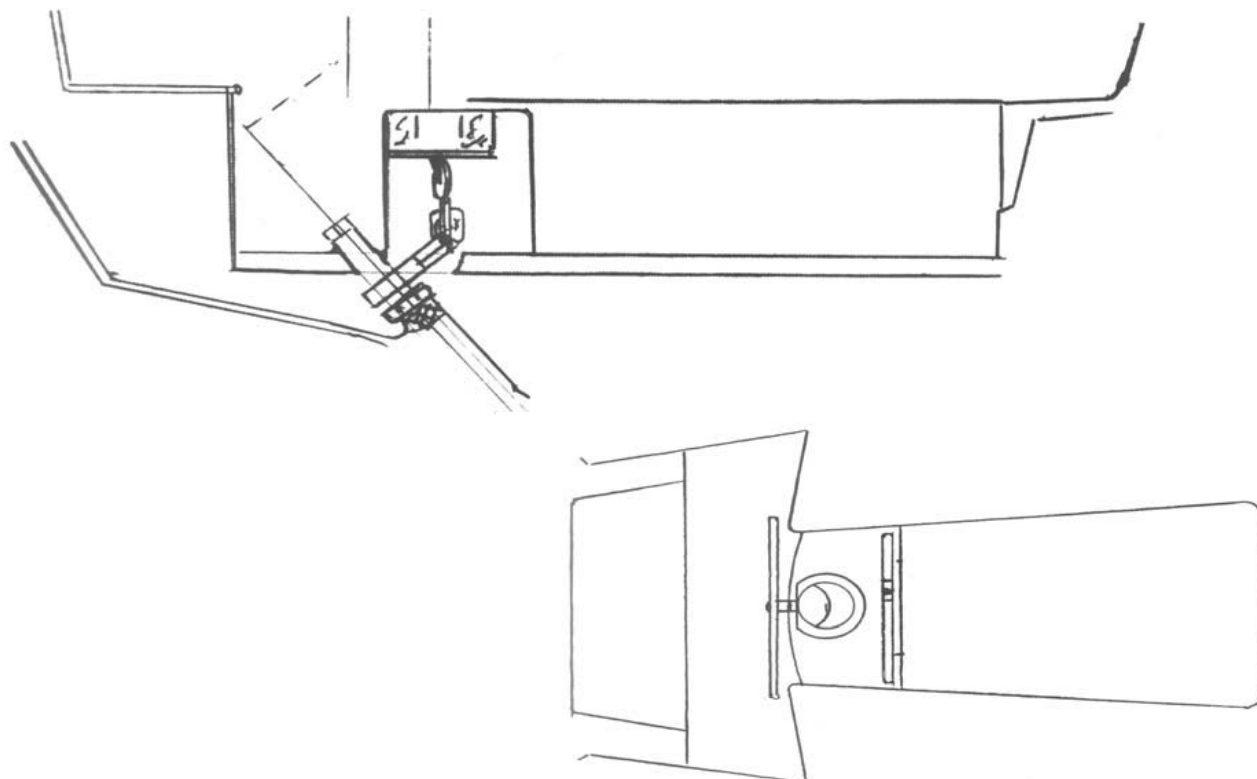


NICHOLSON 32

S-902

THIS SCHEMATIC IS INTENDED TO PROVIDE AN OUTLINE FOR DESIGNING YOUR SYSTEM. COMPLETE INSTRUCTIONS FOR INSTALLATION CAN BE FOUND IN OUR "PLANNING & INSTALLATION GUIDE", WHICH CAN BE FOUND ON OUR WEBSITE.

VISIT US ONLINE AT
WWW.EDSONMARINE.COM



NICHOLSON 32 (S-902)

STEERING COMPONENTS:

1 FIG. 336-5-211T

1 FIG. 647ST-28-5

1 FIG. 77101

1 FIG. 711AL-4AL

2 FIG. 620BR-4AL

1 FIG. 676BR-8

4 FIG. 646-4HEX

(A FIG. 697 STUFFING BOX/BEARING MAY BE REQUIRED)

CLASSIC PEDESTAL STEERER/TAPERED

DISHED DESTROYER WHEEL

CHAIN & WIRE ROPE KIT W/HARDWARE *[was 774-2S15B7]*
(1.5FT #50 CHAIN, 7FT 3/16" 7X19 305 SS WIRE ROPE)

ADJUSTABLE CROSSED WIRE IDLER

UPRIGHT SINGLE SHEAVE ASSEMBLY

MANGANESE BRONZE QUADRANT

PEDESTAL MOUNTING BOLTS