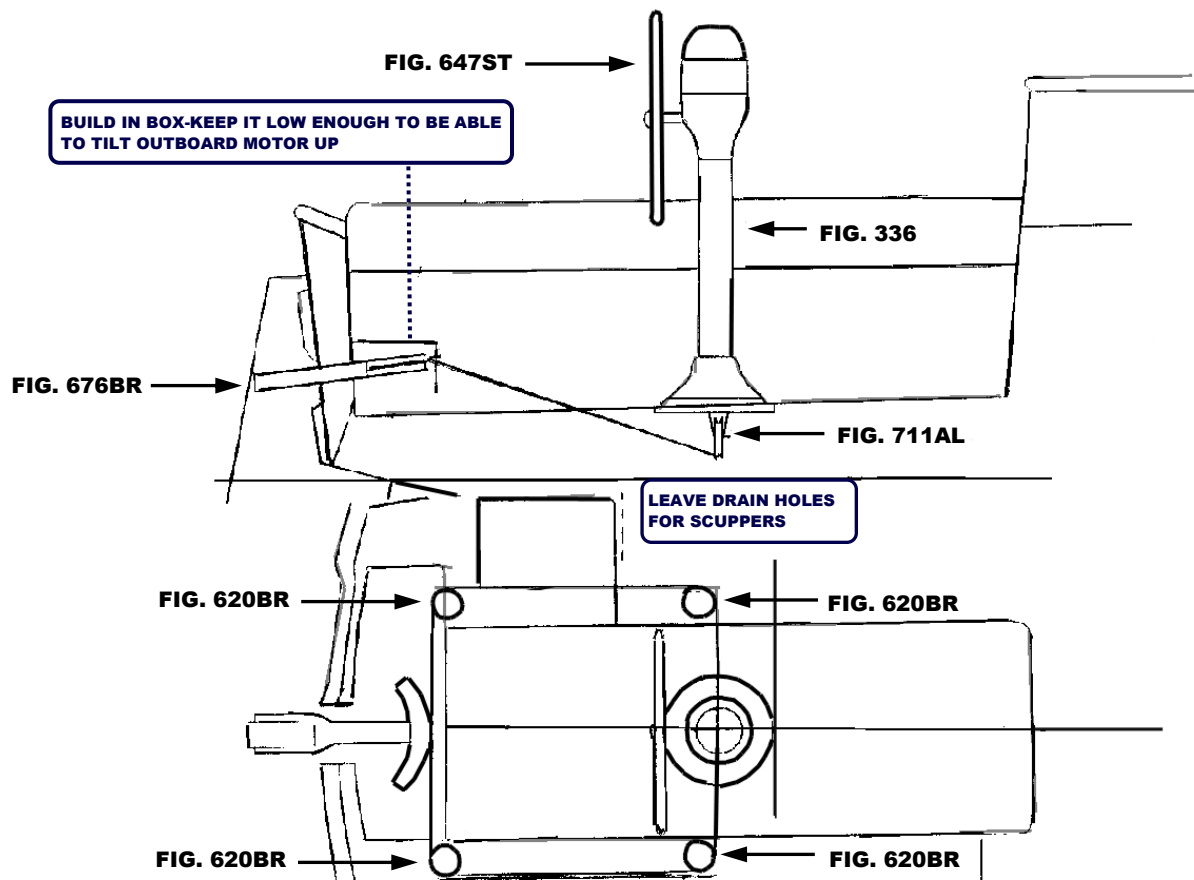


**THIS SCHEMATIC IS INTENDED TO PROVIDE AN OUTLINE FOR DESIGNING YOUR SYSTEM. COMPLETE INSTRUCTIONS FOR INSTALLATION CAN BE FOUND IN OUR "PLANNING & INSTALLATION GUIDE", WHICH CAN BE FOUND ON OUR WEBSITE.**

**VISIT US ONLINE AT  
WWW.EDSONMARINE.COM**



**STEERING COMPONENTS:**

- |  |  |
|--|--|
| 1 FIG. 336-5-211T  | <b>CLASSIC PEDESTAL STEERER/TAPERED</b>  |
| 1 FIG. 647ST-20-5  | <b>DISHED DESTROYER WHEEL</b>  |
| 1 FIG. 77111   | <b>CHAIN &amp; WIRE ROPE KIT W/HARDWARE [was 774-2S2B9]</b><br><i>(2FT #50 CHAIN, 9FT 3/16" 7X19 305 SS WIRE ROPE)</i> |
| 1 FIG. 711AL-4AL   | <b>ADJUSTABLE IDLER</b>  |
| 4 FIG. 620BR-4AL   | <b>UPRIGHT SINGLE SHEAVE ASSEMBLY</b>  |
| 1 FIG. 676BR-10  | <b>MAGANESE BRONZE QUADRANT</b>  |
| 4 FIG. 646-4HEX  | <b>PEDESTAL MOUNTING BOLTS</b>   |
| <b>(A FIG. 697 STUFFING BOX/BEARING MAY BE REQUIRED)</b> |  |