

Steering Data Sheet



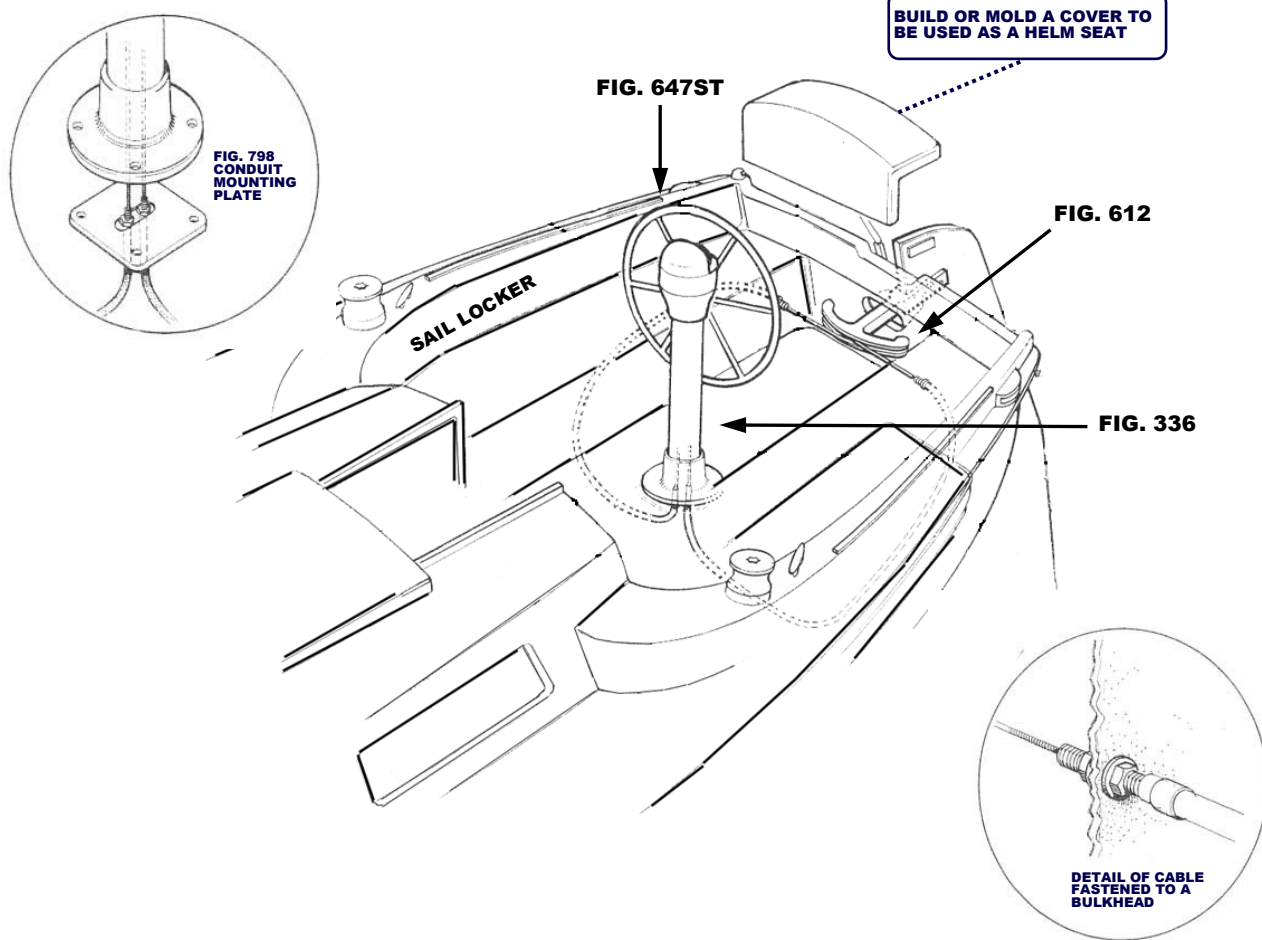
O'DAY 25 & 26

S-752-4

TRANSOM HUNG RUDDER /STEERER TYPICAL INSTALLATION

THIS SCHEMATIC IS INTENDED TO PROVIDE AN OUTLINE FOR DESIGNING YOUR SYSTEM. COMPLETE INSTRUCTIONS FOR INSTALLATION CAN BE FOUND IN OUR "PLANNING & INSTALLATION GUIDE", WHICH CAN BE FOUND ON OUR WEBSITE.

VISIT US ONLINE AT
WWW.EDSONMARINE.COM



STEERING COMPONENTS:

1 FIG. 336-5-211T
1 FIG. 647ST-20-5
1 FIG. 77103

1 FIG. 841-2
2 FIG. 797-5
1 FIG. 612-10-175
4 FIG. 646-4HEX

CLASSIC PEDESTAL STEERER/TAPERED
DISHED DESTROYER WHEEL
CHAIN & WIRE ROPE KIT W/HARDWARE [was 774-2S15B9]
(1.5FT #50 CHAIN, 9FT 3/16" 7X19 305 SS WIRE ROPE)
DROP CONDUIT BRACKET
PULL/PULL CONDUIT W/END FITTINGS
OUTBOARD RUDDER QUADRANT
PEDESTAL MOUNTING BOLTS



146 DUCHAINE BLVD, NEW BEDFORD, MA 02745-1292 Tel: 508-995-9711 Fax: 508-995-5021 FREE FAX: 800-338-5021

O'DAY 25 & 26 (S-752-4)