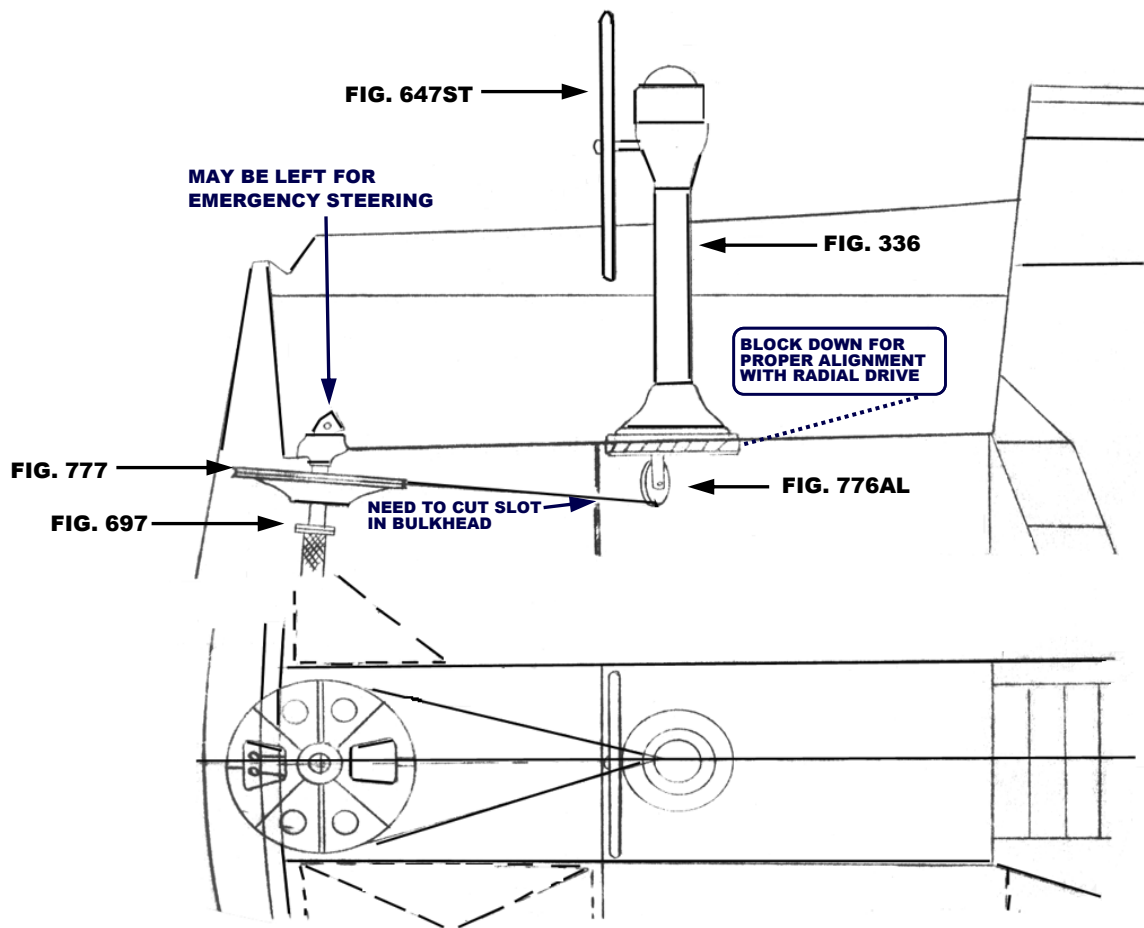


THIS SCHEMATIC IS INTENDED TO PROVIDE AN OUTLINE FOR DESIGNING YOUR SYSTEM. COMPLETE INSTRUCTIONS FOR INSTALLATION CAN BE FOUND IN OUR "PLANNING &

VISIT US ONLINE AT  
[WWW.EDSONMARINE.COM](http://WWW.EDSONMARINE.COM)



**STEERING COMPONENTS:**

- |  |  |
|--|--|
| 1 FIG. 336-5-211T  | <b>CLASSIC PEDESTAL STEERER/TAPERED</b>                      |
| 1 FIG. 647ST-24-5  | <b>DISHED DESTROYER WHEEL</b>                                |
| 1 FIG. 77103   | <b>CHAIN &amp; WIRE ROPE KIT W/HARDWARE [was 774-2S15B9]</b> |
|  | <i>(1.5FT #50 CHAIN, 9FT 3/16" 7X19 305 SS WIRE ROPE)</i>    |
| 1 FIG. 776AL-4AL   | <b>ADJUSTABLE CROSSED WIRE IDLER</b>                         |
| 1 FIG. 777-6.5   | <b>RADIAL DRIVE WHEEL</b>                                    |
| 4 FIG. 646-4HEX  | <b>PEDESTAL MOUNTING BOLTS</b>                               |
| <b>(A FIG. 697 STUFFING BOX/BEARING MAY BE REQUIRED)</b> |  |

O'DAY 27 (S-446-2)