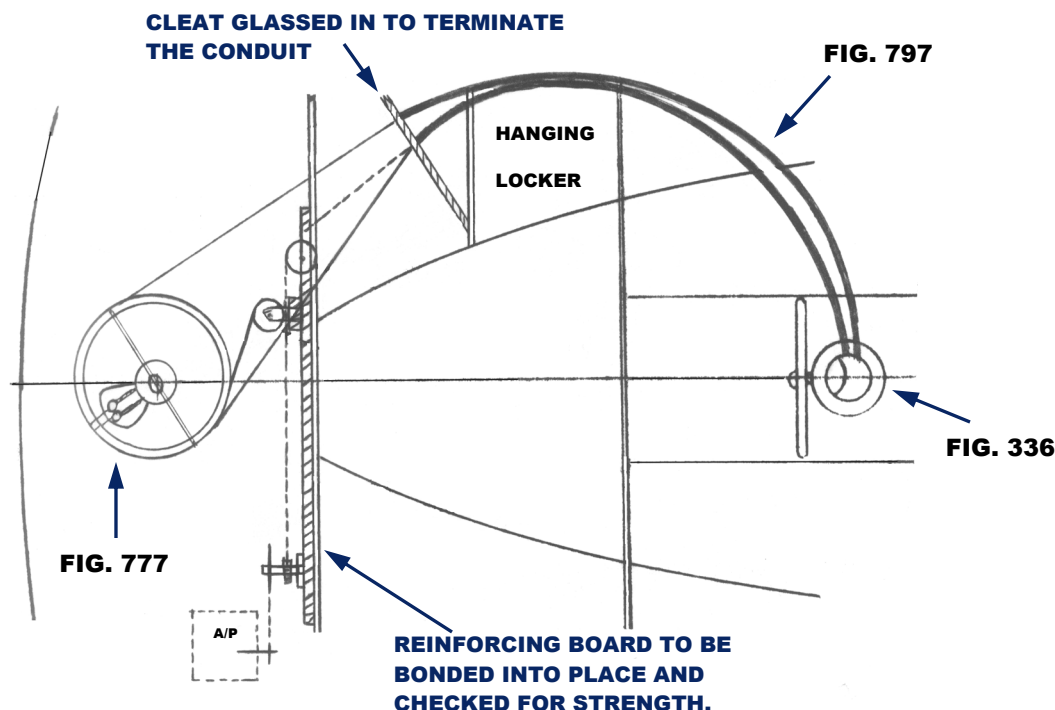




O'DAY 37 (RADIAL DRIVE)

This schematic is intended to provide an outline for designing your system. Complete instructions for installation can be found in our "PLANNING & INSTALLATION GUIDE", which can be found on our website.

VISIT US ONLINE AT
WWW.EDSONMARINE.COM



STEERING COMPONENTS:

- 1 FIG. 336-5-211T
- 1 FIG. 647ST-28-5
- 1 FIG. 77115
- 1 FIG. 841-2
- 2 FIG. 797-10
- 1 FIG. 777-10
- 4 FIG. 646-4HEX

- CLASSIC PEDESTAL STEERER/TAPERED
- DISHED DESTROYER WHEEL
- CHAIN & WIRE ROPE KIT W/HARDWARE *[was 774-2S2B22]*
- (2FT #50 CHAIN, 22FT 3/16" 7X19 305 SS WIRE ROPE)*
- DROP BRACKET CONDUIT
- PULL/PULL CONDUIT W/END FITTINGS
- RADIAL DRIVE WHEEL
- PEDESTAL MOUNTING BOLTS

O'DAY 37 (RADIAL DRIVE) S-873-3

