



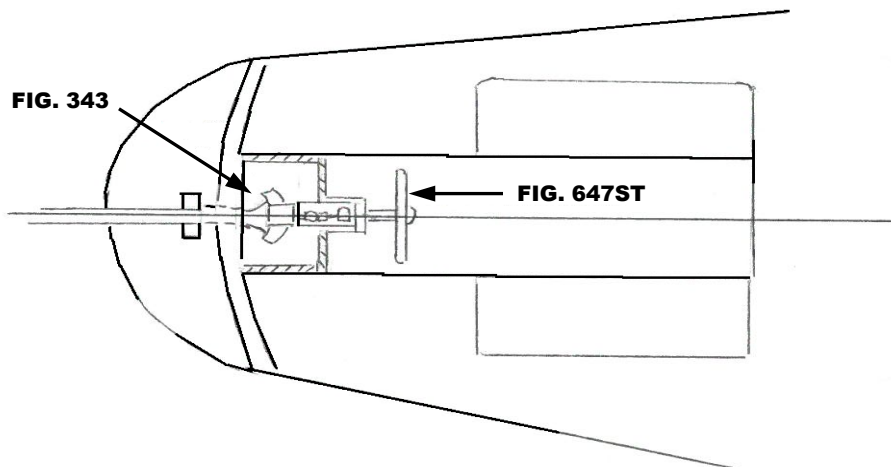
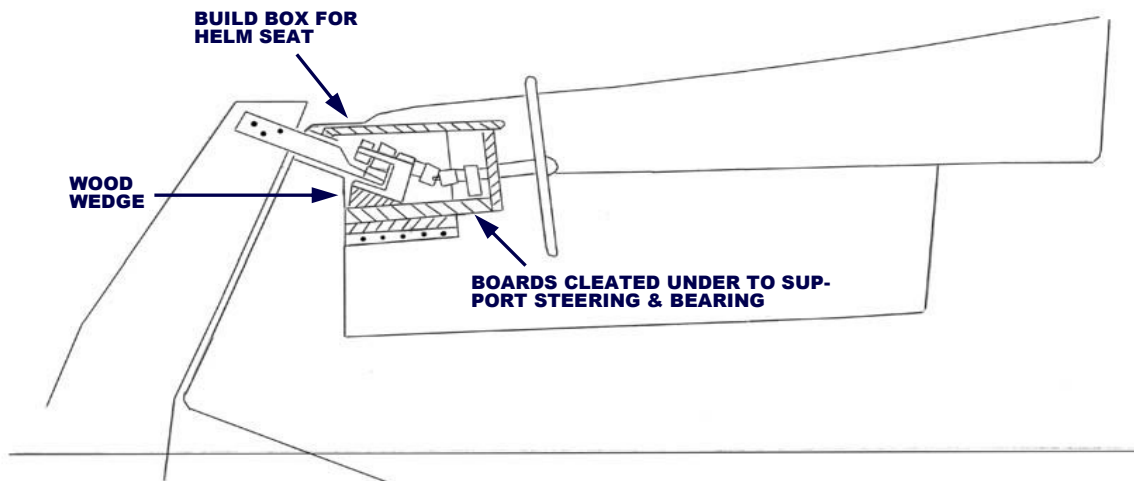
PACESHIP 23

S-744

(AN O'DAY 22 IS SIMILAR)

THIS SCHEMATIC IS INTENDED TO PROVIDE AN OUTLINE FOR DESIGNING YOUR SYSTEM. COMPLETE INSTRUCTIONS FOR INSTALLATION CAN BE FOUND IN OUR "PLANNING & INSTALLATION GUIDE", WHICH CAN BE FOUND ON OUR WEBSITE.

**VISIT US ONLINE AT
WWW.EDSONMARINE.COM**



STEERING COMPONENTS:

- 1 FIG. 343-1S AFT MOUNT RACK & PINION STEERER**
[MUST SPECIFY "A" DIMENSION, BORE & KEY SIZE]
- 1 FIG. 647ST-20-5 DISHED DESTROYER WHEEL**

PACESHIP 23 (S-744)

