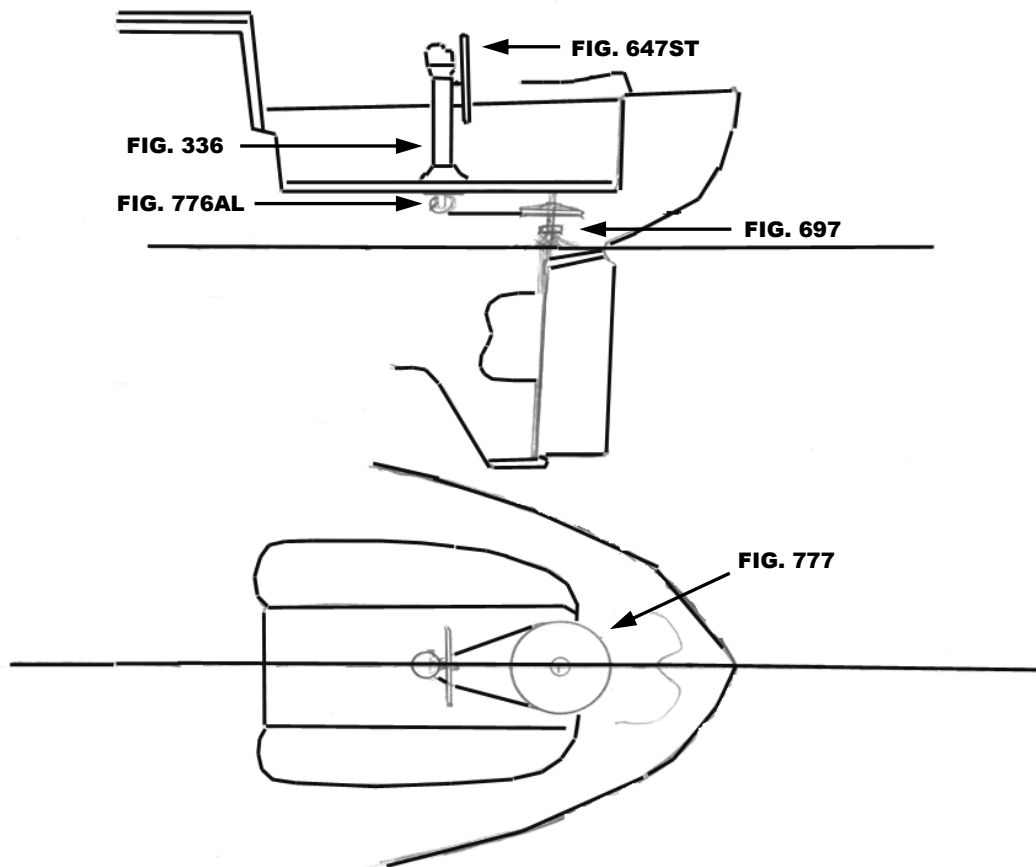




**PACIFIC SEACRAFT
CREALOCK 34**

THIS SCHEMATIC IS INTENDED TO PROVIDE AN OUTLINE FOR DESIGNING YOUR SYSTEM. COMPLETE INSTRUCTIONS FOR INSTALLATION CAN BE FOUND IN OUR "PLANNING & INSTALLATION GUIDE", WHICH CAN BE FOUND ON OUR WEBSITE.

VISIT US ONLINE AT
WWW.EDSONMARINE.COM



STEERING COMPONENTS:

- 1 FIG. 336-5-211T
- 1 FIG. 647ST-20-5
- 1 FIG. 77109

- 1 FIG. 776AL-4AL
- 1 FIG. 777-10
- 4 FIG. 646-4HEX
- 1 FIG. 697-2.375

- CLASSIC PEDESTAL STEERER/TAPERED DISHED DESTROYER WHEEL**
- CHAIN & WIRE ROPE KIT W/HARDWARE *[was 774-2S2B7]***
(2FT #50 CHAIN, 7FT 3/16" 7X19 305 SS WIRE ROPE)
- ADJUSTABLE CROSSED WIRE IDLER**
- RADIAL DRIVE WHEEL**
- PEDESTAL MOUNTING BOLTS**
- STUFFING BOX/BEARING**

PACIFIC SEACRAFT
CREALOCK 34 (S-2059)

